

Code: PRT66EM-G

PROXIMITY READER **PRT66EM-G** ROGER

Net: **48.46 EUR** Gross: **59.61 EUR**

Indoor proximity cards and key-fobs reader. Unique 125 kHz standard.



SPECIFICATION

Cards support:	Unique EM 125kHz
Reading distance of prox-keys:	max. 15 cm
Keyboard built-in:	—
Communication:	<ul style="list-style-type: none">• Wiegand 26-66bit• Magstripe (Clock & Data)• RS-232• RACS (Roger)
Main features:	<ul style="list-style-type: none">• Autonomous operation or as terminal for the controller• Can be used for EMC-4 card programming (free of charge RARC software is required)• Tamper protection (detection of removing from mounting surface and enclosure opening)• Manual or computer programming
Selected features of the standalone mode:	<ul style="list-style-type: none">• 120 indexed users• History of 1024 events• Support for door contact and exit button• Two way door control (requires using two readers of PRT series)• Operation with XM-2 I/O extension module (Full Standalone Mode)
Power supply:	10 ... 15 V DC
Average current consumption:	45 mA
Operation temp:	-25 °C ... 60 °C
Permissible relative humidity:	10 ... 95 % (non-condensing)
Weight:	0.15 kg
Dimensions:	85 x 85 x 27 mm

DELTA-OPTI Monika Matysiak; <https://www.delta.poznan.pl>
POL; 60-713 Poznań; Graniczna 10
e-mail: delta-opti@delta.poznan.pl; tel: +(48) 61 864 69 60

Manufacturer / Brand:	ROGER
Guarantee:	3 years

PRESENTATION

Front panel:



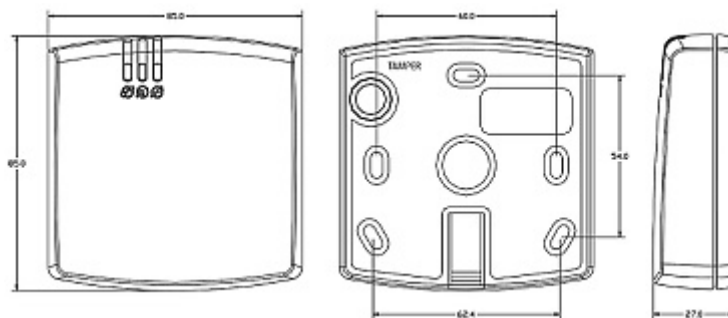
Internal view:



Mounting side view:



Dimensions:



In the kit:





DELTA-OPTI Monika Matysiak; <https://www.delta.poznan.pl>
POL; 60-713 Poznań; Graniczna 10
e-mail: delta-opti@delta.poznan.pl; tel: +(48) 61 864 69 60