

Code: PRT66MF-G

PROXIMITY READER **PRT66MF-G** ROGER

Net: 61.55 EUR Gross: 75.71 EUR



Outdoor proximity cards and key-fobs reader. MIFARE 13.56 MHz standard.

SPECIFICATION

Cards support:	MIFARE 13.56 MHz
Reading distance of prox-keys:	max. 6 cm
Keyboard built-in:	—
Communication:	<ul style="list-style-type: none">• Wiegand 26-66bit,• Magstripe (Clock & Data),• RACS (Roger)
Main features:	<ul style="list-style-type: none">• Autonomous operation or as terminal for the controller• Can be used for MIFARE card programming (free of charge RARC software is required)• Tamper protection (detection of removing from mounting surface and enclosure opening)• Manual or computer programming• Tamper protection (detection of removing from mounting surface and enclosure opening)• LED indication• Beep signal• Two transistor outputs• Two inputs NO/NC
Selected features of the standalone mode:	<ul style="list-style-type: none">• 120 indexed users• History of 1024 events• Two way door control (requires using two readers of PRT series)• Operation with XM-2 I/O extension module (Full Standalone Mode)
Power supply:	12 V DC
Average current consumption:	65 mA
Operation temp:	-25 °C ... 60 °C
Permissible relative humidity:	10 ... 95 % (non-condensing)

DELTA-OPTI Monika Matysiak; <https://www.delta.poznan.pl>
POL; 60-713 Poznań; Graniczna 10
e-mail: delta-opti@delta.poznan.pl; tel: +(48) 61 864 69 60

Weight:	0.15 kg
Dimensions:	85 x 85 x 27 mm
Manufacturer / Brand:	ROGER
Guarantee:	3 years

PRESENTATION

Front panel:



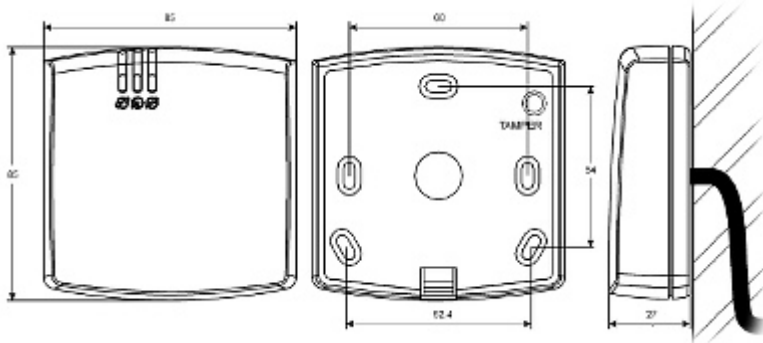
Internal view:



Mounting side view:



Dimensions:



In the kit:



PACKAGE

Dimensions (L x W x H): 0x0x0 mm	Gross Weight: 0 kg
----------------------------------	--------------------