

Code: MCT12M-BK

PROXIMITY READER **MCT12M-BK** ROGER

Net: **53.10 EUR** Gross: **65.31 EUR**



Outdoor proximity cards and key-fobs reader. MIFARE 13.56 MHz standard.

SPECIFICATION

Support:	RACS 5 (Roger)
Cards support:	MIFARE 13.56 MHz, MIFARE Classic, MIFARE Ultralight
Reading distance of prox-keys:	max. 7 cm
Keyboard built-in:	—
Autonomous operation:	—
Doorbell button:	—
Tamper output:	✓
Communication:	<ul style="list-style-type: none">• RS-485• RACS (Roger)
Main features:	<ul style="list-style-type: none">• Tamper protection (detection of removing from mounting surface and enclosure opening)• LED indication• Beep signal• Reads card numbers: CSN, SSN, MSN• Support for normal and long card reading method
Power supply:	10 ... 15 V DC
Average current consumption:	~ 65 mA
Operation temp:	-25 °C ... 60 °C
Permissible relative humidity:	10 ... 95 % (non-condensing)
"Index of Protection":	IP65
Weight:	0.157 kg

DELTA-OPTI Monika Matysiak; <https://www.delta.poznan.pl>
POL; 60-713 Poznań; Graniczna 10
e-mail: delta-opti@delta.poznan.pl; tel: +(48) 61 864 69 60

Dimensions:	152 x 46 x 23 mm
Manufacturer / Brand:	ROGER
Guarantee:	3 years

PRESENTATION

Front panel:



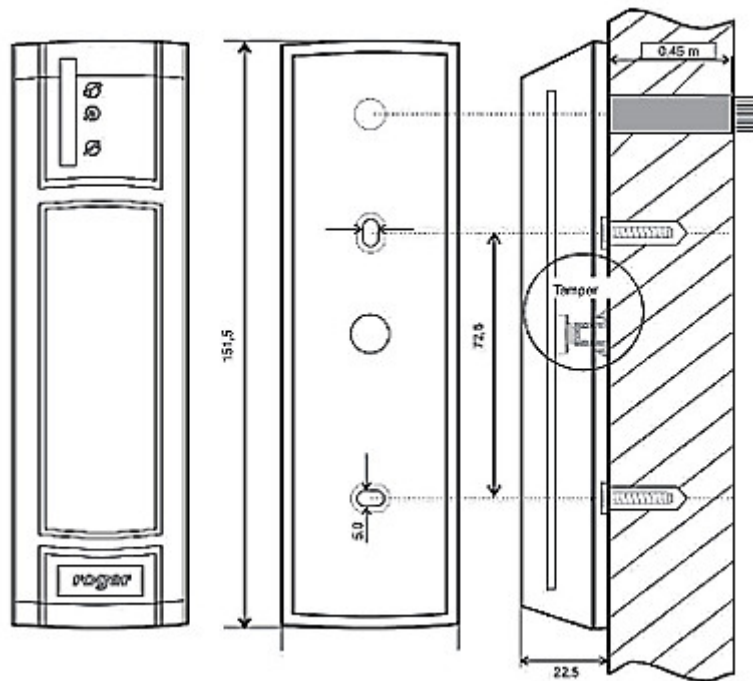
Rear view:



Internal view of the housing:



Dimensions:



In the kit:

