

Code: ATLO-KRM-855

## CODE LOCK ATLO-KRM-855 Wi-Fi

Net: 35.68 EUR Gross: 35.68 EUR



Indoor, autonomous code lock with RFID reader.

Autonomous operation of the device allows the user to:

- Open by using a card or PIN code.
- Opening via the mobile application.
- Remember stored cards or PIN codes.
- Signaling left the door open.
- Acoustic and optical signaling.

Administrator capabilities are following:

- Programming by using the keypad.
- Adding a new card by using the keypad.
- Adding a new card and entering a PIN code.
- Pairing a mobile device.
- Changing the PIN code of the user.
- Deleting the PIN code of the user.
- Setting the lock release time.
- Restoring the default settings.

### SPECIFICATION

Cards support:	Unique EM 125kHz
Reading distance of prox-keys:	max. 5 cm
Autonomous operation:	✓
Keyboard built-in:	✓
Doorbell button:	✓
Tamper output:	—
Mobile phones support:	It is possible to operate via the Wi-Fi network from the mobile application on the iOS, Android systems : <ul style="list-style-type: none"><li>• Android: Free application <a href="#">eWeLink</a></li><li>• iOS (iPhone): Free application <a href="#">eWeLink</a></li></ul>
Power supply:	12 V DC $\pm$ 10%
Maximal current consumption:	60 mA
Main features:	<ul style="list-style-type: none"><li>• 2000 indexed users,</li><li>• Wiegand interface 26 bit,</li><li>• Built-in Wi-Fi module</li><li>• Identification: Card and/or PIN</li><li>• Blue backlight of the keys</li><li>• Support for door contact and exit button</li><li>• NO/NC output</li><li>• Possible connection of the external ATLO-R series reader (read in/out door control)</li></ul>
Operation temp:	-40 °C ... 60 °C
Permissible relative humidity:	10 ... 90 % (non-condensing)
Housing:	Plastic - Narrow profile

DELTA-OPTI Monika Matysiak; <https://www.delta.poznan.pl>  
POL; 60-713 Poznań; Graniczna 10  
e-mail: [delta-opti@delta.poznan.pl](mailto:delta-opti@delta.poznan.pl); tel: +(48) 61 864 69 60

Color:	Black
Weight:	0.07 kg
Dimensions:	47 x 112 x 22 mm
Manufacturer / Brand:	ATLO
Guarantee:	<b>3 years</b>

## PRESENTATION

Front panel view:



Rear view:





Connectors description:



Internal view of the housing:



Typical connection diagram:

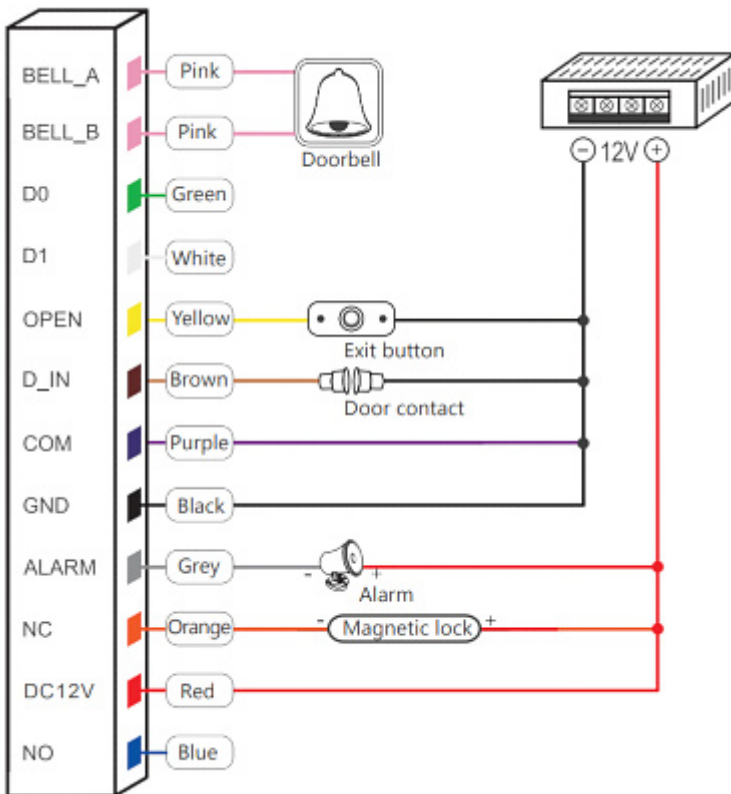
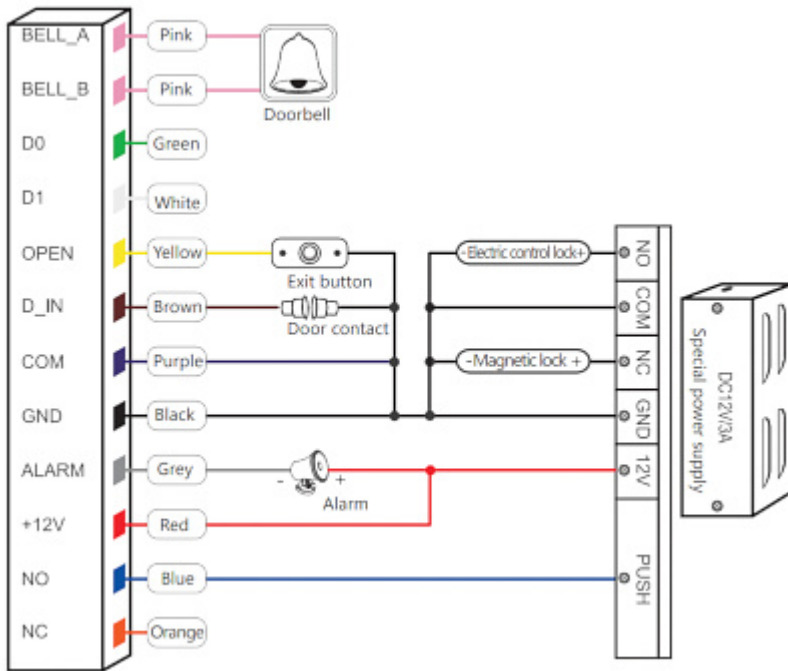
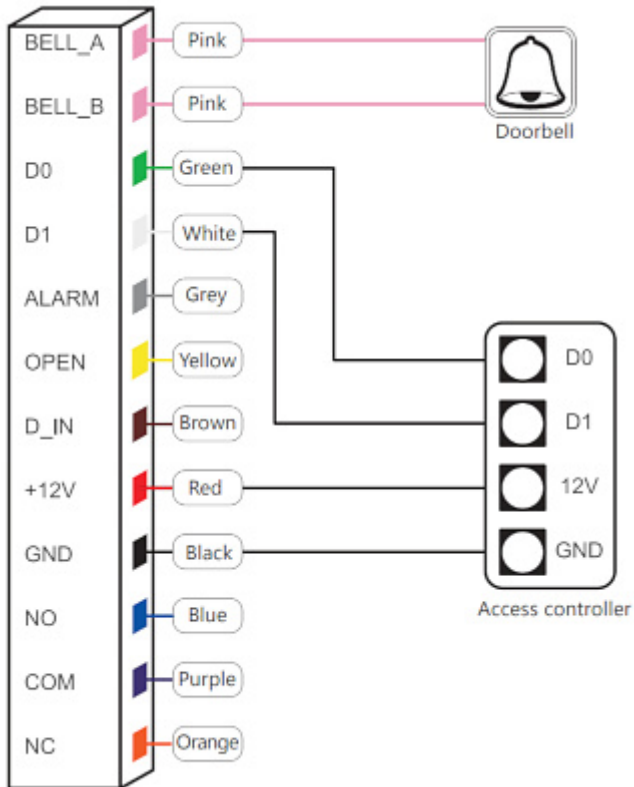


Diagram with a special power supply adapter:



Reader mode:



In the kit:



**PACKAGE**

Dimensions (L x W x H): 0x0x0 mm	Gross Weight: 0 kg
----------------------------------	--------------------

