

Code: ATLO-KRM-823

CODE LOCK ATLO-KRM-823

Net: 63.08 EUR Gross: 63.08 EUR



Outdoor, autonomous code lock with RFID reader.

Autonomous operation of the device allows the user to:

- Open by using a card or PIN code.
- Remember stored cards or PIN codes.
- Signaling left the door open.
- Acoustic and optical signaling.

Administrator capabilities are following:

- Programming by using the keypad.
- Adding a new card by using the keypad.
- Adding a new card and entering a PIN code.
- Changing the PIN code of the user.
- Deleting the PIN code of the user.
- Setting the lock release time.
- Restoring the default settings.

ATTENTION! It can be used outdoors, but under a roof.

SPECIFICATION

Cards support:	Unique EM 125kHz
Reading distance of prox-keys:	max. 6 cm
Autonomous operation:	✓
Keyboard built-in:	✓
Doorbell button:	✓
Tamper output:	—
Power supply:	12 V DC ± 10%
Maximal current consumption:	60 mA
Main features:	<ul style="list-style-type: none">• Control of touch-sensitive buttons,• 2000 indexed users• Identification: Card and/or PIN• Blue backlight of the keys• Support for door contact and exit button• NO/NC output• Possible connection of the external ATLO-R series reader (read in/out door control)
Operation temp:	-45 °C ... 60 °C
Permissible relative humidity:	10 ... 90 % (non-condensing)
"Index of Protection":	IP42
Housing:	Metal - Narrow profile
Color:	Silver / Black

DELTA-OPTI Monika Matysiak; <https://www.delta.poznan.pl>
POL; 60-713 Poznań; Graniczna 10
e-mail: delta-opti@delta.poznan.pl; tel: +(48) 61 864 69 60

Weight:	0.22 kg
Dimensions:	45 x 156 x 22 mm
Manufacturer / Brand:	ATLO
Guarantee:	3 years

PRESENTATION

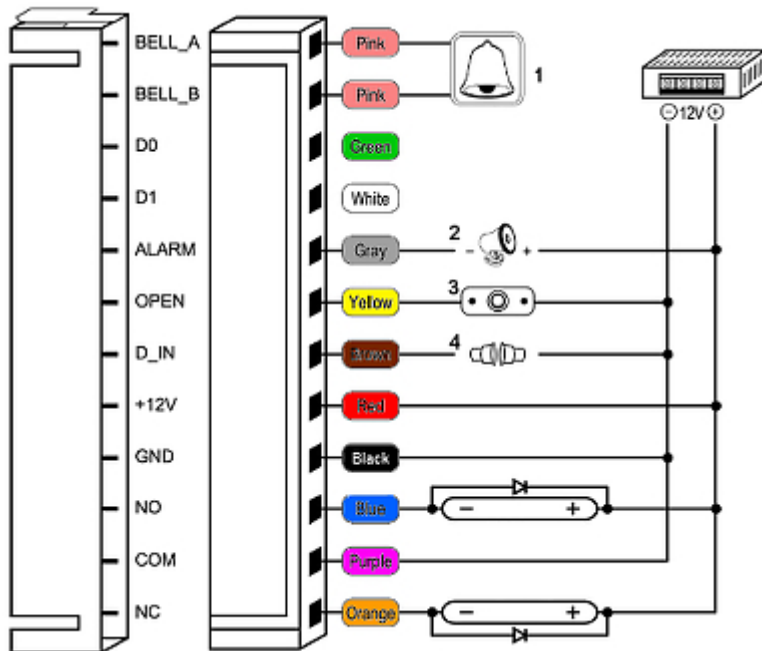
Front panel view:



Rear view:



Connectors description:



- 1. Doorbell button
 - 2. Alarm
 - 3. Exit button
 - 4. Reed switch
- In the kit:



PACKAGE

Dimensions (L x W x H): 0x0x0 mm	Gross Weight: 0 kg
----------------------------------	--------------------

