

Code: PFB600W

HOUSING CEILING BRACKET **PFB600W** DAHUA

Net: 164.00 PLN Gross: 201.72 PLN

Ceiling bracket for housings.



SPECIFICATION

Suitable for housings:	DAHUA - documentation for download below.
Material:	Aluminum - powder painted / PC
Bearing capacity:	max. 4 kg
Color:	White
Adjustment:	in two planes
Weight:	0.99 kg
Dimensions:	313.7 x 249.7 x 133.6 mm
Manufacturer / Brand:	DAHUA
Guarantee:	3 years

PRESENTATION

DELTA-OPTI Monika Matysiak; <https://www.delta.poznan.pl>
POL; 60-713 Poznań; Graniczna 10
e-mail: delta-opti@delta.poznan.pl; tel: +(48) 61 864 69 60

Side view:



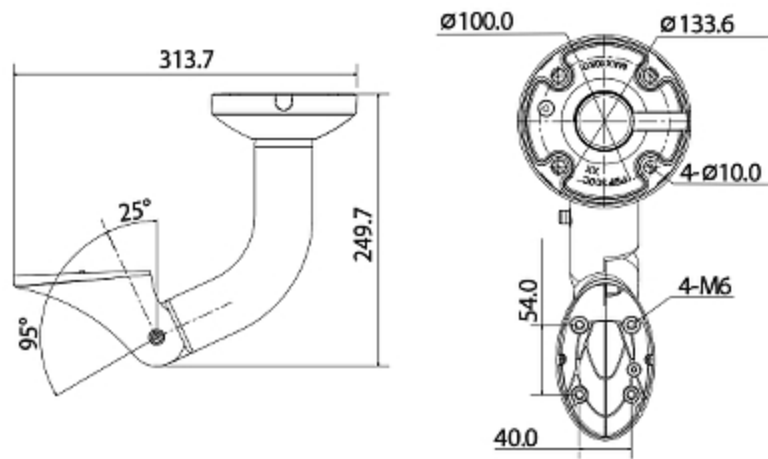
Bottom view:



Mounting view:



Bracket dimensions:



Application:

