

Code: PFB601W

HOUSING BRACKET **PFB601W** DAHUA

Net: **33.84 EUR** Gross: **41.62 EUR**



SPECIFICATION

Suitable for housings:	DAHUA - documentation for download below.
Material:	Aluminum - powder painted / PC
Distance from mounting surface:	mm
Bearing capacity:	max. 4 kg
Color:	White
Adjustment:	in one plane
Weight:	0.62 kg
Dimensions:	Ø 133.6 x 203.4 mm
Manufacturer / Brand:	DAHUA
Guarantee:	3 years

PRESENTATION

Side view:



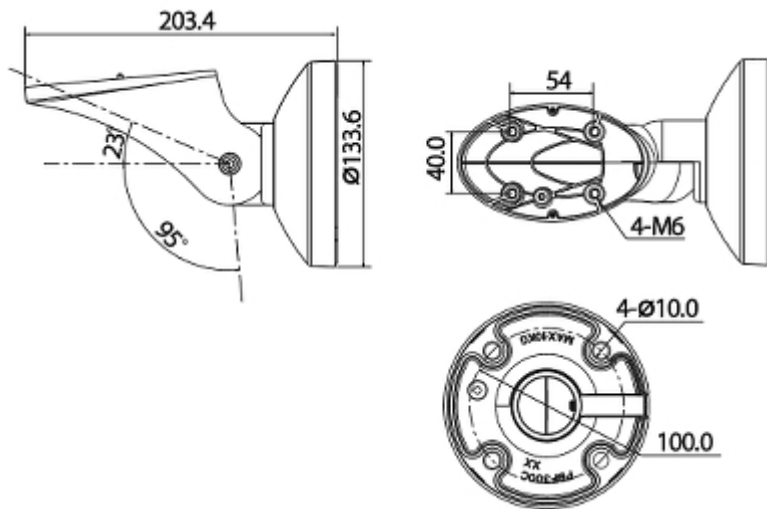
Top view:



Bracket wall mounting base dimensions:



Bracket dimensions:



Application:

