

Code: PFB604W

HOUSING BRACKET **PFB604W** DAHUA

Net: 26.95 EUR Gross: 33.15 EUR

Aluminum bracket for housings. Wall bracket.



SPECIFICATION

Suitable for housings:	DAHUA - documentation for download below.
Material:	Aluminum - powder painted
Bearing capacity:	max. 4 kg
Color:	White
Adjustment:	in two planes
Weight:	0.56 kg
Dimensions:	100 x 146 x 264 mm
Manufacturer / Brand:	DAHUA
Guarantee:	3 years

PRESENTATION

Side view:



Top view:



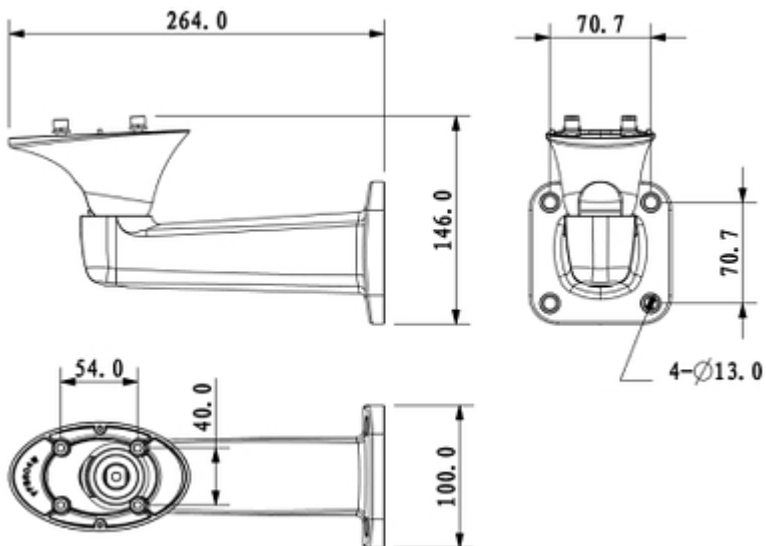
DELTA-OPTI Monika Matysiak; <https://www.delta.poznan.pl>
POL; 60-713 Poznań; Graniczna 10
e-mail: delta-opti@delta.poznan.pl; tel: +(48) 61 864 69 60



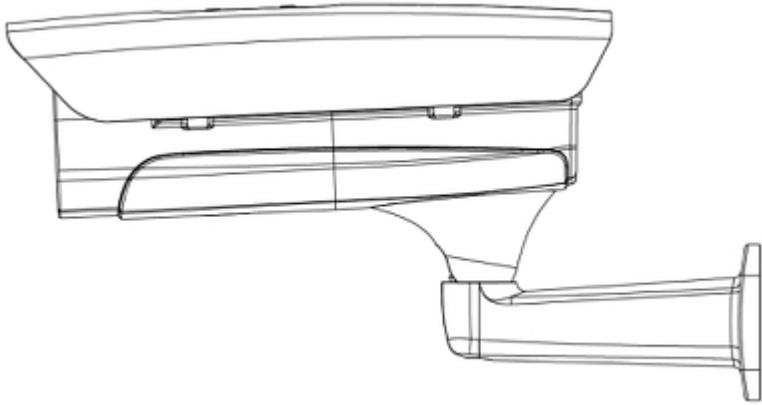
Mounting side view:



Bracket dimensions:



Application:



In the kit:



PACKAGE

Dimensions (L x W x H): 0x0x0 mm	Gross Weight: 0 kg
----------------------------------	--------------------

