

Code: KS-10/6X120

EXPANSION PLUG **KS-10/6X120** KLIMAS

Net: **0.26 EUR** Gross: **0.32 EUR**

Expansion plug for solid substrates with hex head screw.

The expansion plug is designed for fixing of light-duty interior finish systems, metal members and lightweight installations or mounting clamps on solid substrates.

Types of substrates for installation: plain concrete of class not lower than C20/25 (PN-EN 206/1:2003), solid clay brick of class not lower than 15 (PN-EN 771-1:2011), aerated concrete of variety 600, class 5 (PN-EN 771-4:2011) and solid sand-lime brick of class 20 (PN-EN 771-2:2011).



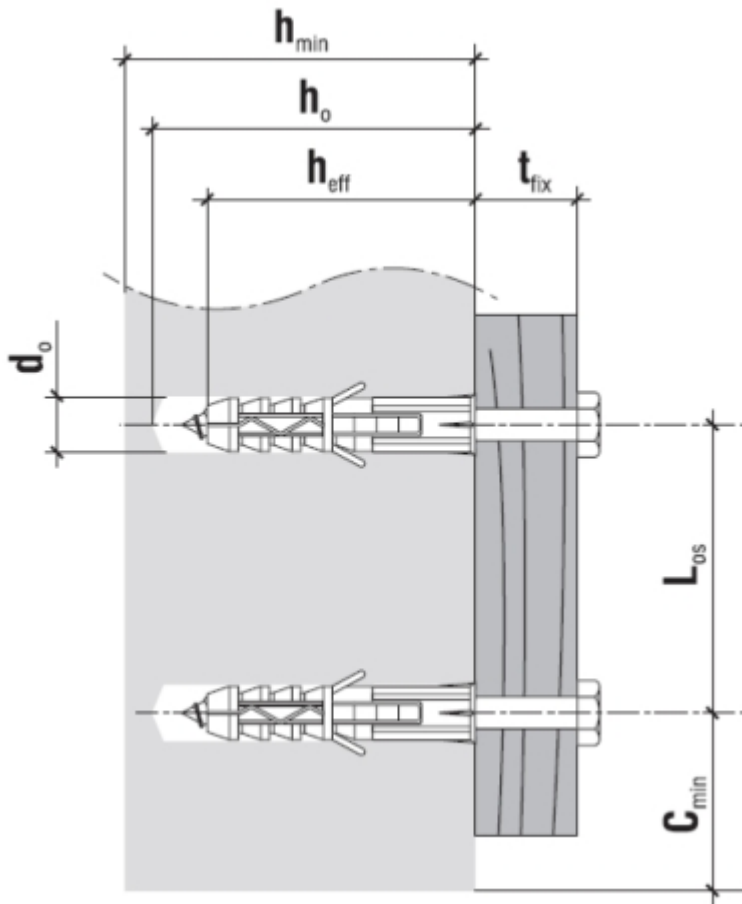
SPECIFICATION

Material:	<ul style="list-style-type: none">• Expansion plug, Polypropylene• Screw, Steel galvanized
Drilling diameter:	10 mm
Expansion plug length:	60 mm
Screw dimensions:	Ø 6 x 120 mm, SW-10
Application:	<ul style="list-style-type: none">• Concrete• Solid clay brick• Solid sand-lime brick
Manufacturer / Brand:	KLIMAS
Guarantee:	2 years

PRESENTATION



Method of mounting:



Hole/drill diameter [d_o] - 10 mm
 Min. substrate thickness [h_{min}] - 90 mm
 Drilled hole depth [h_o] - 70 mm
 Anchorage depth [h_{eff}] - 60 mm
 Max. usable length [t_{fix}] - 60 mm
 Min. axial distance (concrete/other substrate) [L_{os}] - 120/180 mm
 Min. distance from edge [c_{min}] - 120 mm

PACKAGE

Dimensions (L x W x H): 0x0x0 mm	Gross Weight: 0 kg
----------------------------------	--------------------

