

Code: KS-12/8X80

EXPANSION PLUG **KS-12/8X80** KLIMAS

Net: **0.32 EUR** Gross: **0.39 EUR**

Expansion plug for solid substrates with hex head screw.

The expansion plug is designed for fixing of light-duty interior finish systems, metal members and lightweight installations or mounting clamps on solid substrates.

Types of substrates for installation: plain concrete of class not lower than C20/25 (PN-EN 206/1:2003), solid clay brick of class not lower than 15 (PN-EN 771-1:2011), aerated concrete of variety 600, class 5 (PN-EN 771-4:2011) and solid sand-lime brick of class 20 (PN-EN 771-2:2011).



SPECIFICATION

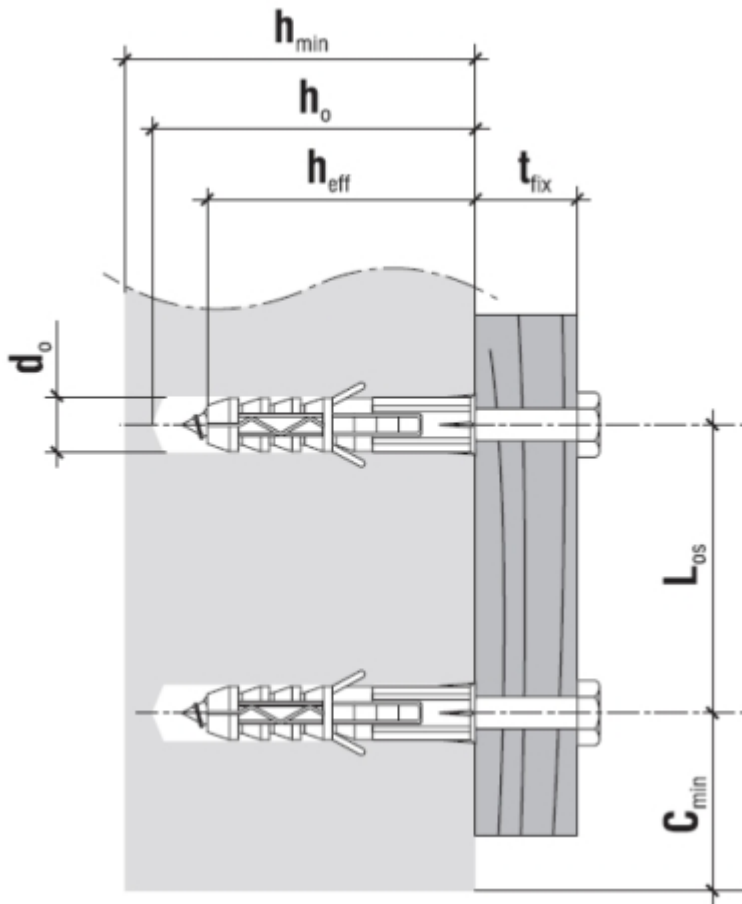
| | |
|------------------------|---|
| Material: | <ul style="list-style-type: none">• Expansion plug, Polypropylene• Screw, Steel galvanized |
| Drilling diameter: | 12 mm |
| Expansion plug length: | 60 mm |
| Screw dimensions: | Ø 8 x 80 mm, SW-13 |
| Application: | <ul style="list-style-type: none">• Concrete• Solid clay brick• Solid sand-lime brick |
| Manufacturer / Brand: | KLIMAS |
| Guarantee: | 2 years |

PRESENTATION



Method of mounting:

DELTA-OPTI Monika Matysiak; <https://www.delta.poznan.pl>
POL; 60-713 Poznań; Graniczna 10
e-mail: delta-opti@delta.poznan.pl; tel: +(48) 61 864 69 60



Hole/drill diameter [d_0] - 12 mm
 Min. substrate thickness [h_{min}] - 90 mm
 Drilled hole depth [h_0] - 70 mm
 Anchorage depth [h_{eff}] - 60 mm
 Max. usable length [t_{fix}] - 20 mm
 Min. axial distance (concrete/other substrate) [L_{os}] - 120/180 mm
 Min. distance from edge [c_{min}] - 120 mm

PACKAGE

| | |
|----------------------------------|--------------------|
| Dimensions (L x W x H): 0x0x0 mm | Gross Weight: 0 kg |
|----------------------------------|--------------------|