

Code: KS-12/8X100

## EXPANSION PLUG **KS-12/8X100** KLIMAS

Net: **0.37 EUR** Gross: **0.46 EUR**

Expansion plug for solid substrates with hex head screw.

The expansion plug is designed for fixing of light-duty interior finish systems, metal members and lightweight installations or mounting clamps on solid substrates.

Types of substrates for installation: plain concrete of class not lower than C20/25 (PN-EN 206/1:2003), solid clay brick of class not lower than 15 (PN-EN 771-1:2011), aerated concrete of variety 600, class 5 (PN-EN 771-4:2011) and solid sand-lime brick of class 20 (PN-EN 771-2:2011).



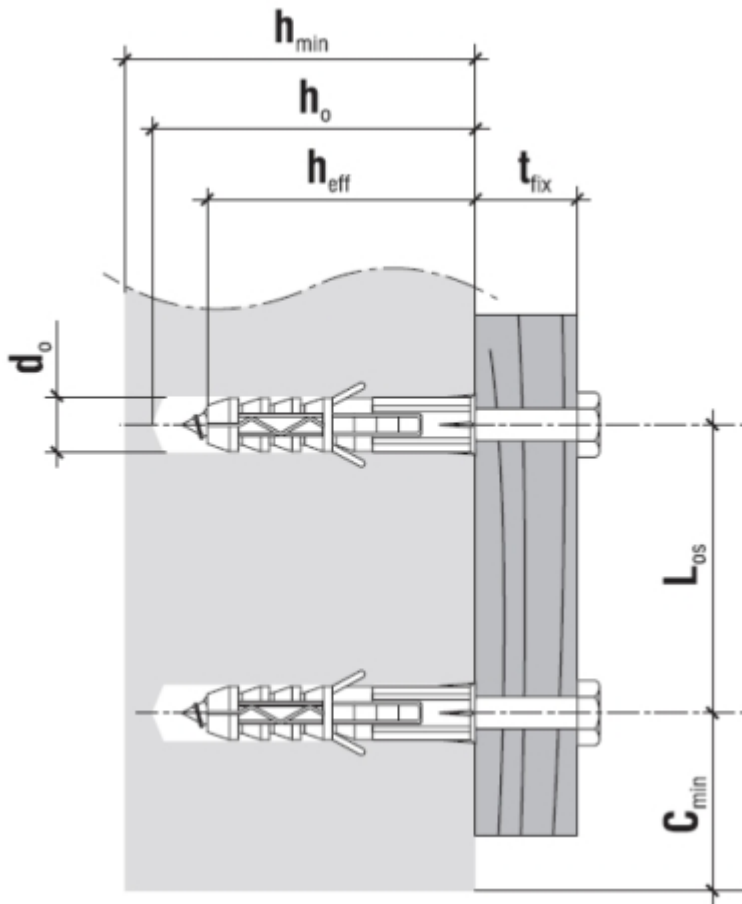
### SPECIFICATION

Material:	<ul style="list-style-type: none"><li>• Expansion plug, Polypropylene</li><li>• Screw, Steel galvanized</li></ul>
Drilling diameter:	12 mm
Expansion plug length:	80 mm
Screw dimensions:	Ø 8 x 100 mm, SW-13
Application:	<ul style="list-style-type: none"><li>• Concrete</li><li>• Solid clay brick</li><li>• Solid sand-lime brick</li></ul>
Manufacturer / Brand:	KLIMAS
Guarantee:	2 years

### PRESENTATION



Method of mounting:



Hole/drill diameter [ $d_0$ ] - 12 mm  
 Min. substrate thickness [ $h_{min}$ ] - 120 mm  
 Drilled hole depth [ $h_0$ ] - 90 mm  
 Anchorage depth [ $h_{eff}$ ] - 80 mm  
 Max. usable length [ $t_{fix}$ ] - 20 mm  
 Min. axial distance (concrete/other substrate) [ $L_{os}$ ] - 160/240 mm  
 Min. distance from edge [ $c_{min}$ ] - 160 mm

#### PACKAGE

Dimensions (L x W x H): 0x0x0 mm	Gross Weight: 0 kg
----------------------------------	--------------------

