

Code: KW-8/4X50

## EXPANSION PLUG **KW-8/4X50** KLIMAS

Net: **0.07 EUR** Gross: **0.07 EUR**

Expansion plug for solid substrates with countersunk head screw.

The expansion plug is designed for fixing of light-duty interior finish systems, wood members and lightweight installations or mounting clamps on solid substrates.

Types of substrates for installation: plain concrete of class not lower than C20/25 (PN-EN 206/1:2003), solid clay brick of class not lower than 15 (PN-EN 771-1:2011), aerated concrete of variety 600, class 5 (PN-EN 771-4:2011) and solid sand-lime brick of class 20 (PN-EN 771-2:2011).



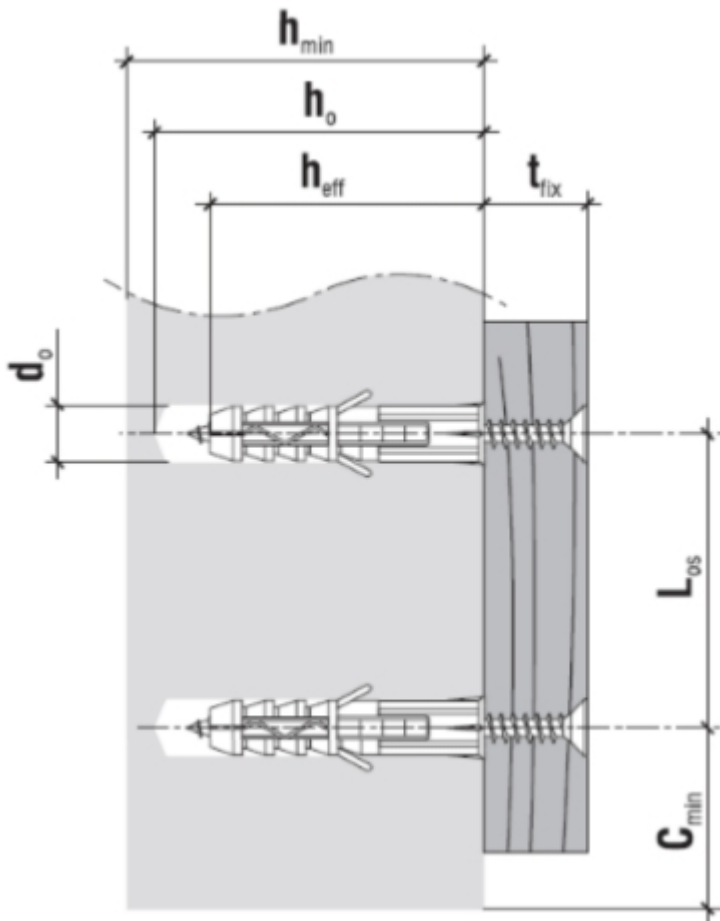
### SPECIFICATION

Material:	<ul style="list-style-type: none"><li>• Expansion plug, Polypropylene</li><li>• Screw, Steel galvanized</li></ul>
Drilling diameter:	8 mm
Expansion plug length:	40 mm
Screw dimensions:	Ø 4 x 50 mm, PZ-2
Application:	<ul style="list-style-type: none"><li>• Concrete</li><li>• Solid clay brick</li><li>• Solid sand-lime brick</li></ul>
Manufacturer / Brand:	KLIMAS
Guarantee:	2 years

### PRESENTATION



Method of mounting:



Hole/drill diameter  $[d_0]$  - 8 mm  
 Min. substrate thickness  $[h_{min}]$  - 60 mm  
 Drilled hole depth  $[h_o]$  - 50 mm  
 Anchorage depth  $[h_{eff}]$  - 40 mm  
 Max. usable length  $[t_{fix}]$  - 10 mm  
 Min. axial distance (concrete/other substrate)  $[L_{os}]$  - 80/120 mm  
 Min. distance from edge  $[c_{min}]$  - 80 mm

#### PACKAGE

Dimensions (L x W x H): 0x0x0 mm	Gross Weight: 0 kg
----------------------------------	--------------------

