

Code: KW-10/5X60

EXPANSION PLUG **KW-10/5X60** KLIMAS

Net: **0.12 EUR** Gross: **0.12 EUR**

Expansion plug for solid substrates with countersunk head screw.

The expansion plug is designed for fixing of light-duty interior finish systems, wood members and lightweight installations or mounting clamps on solid substrates.

Types of substrates for installation: plain concrete of class not lower than C20/25 (PN-EN 206/1:2003), solid clay brick of class not lower than 15 (PN-EN 771-1:2011), aerated concrete of variety 600, class 5 (PN-EN 771-4:2011) and solid sand-lime brick of class 20 (PN-EN 771-2:2011).



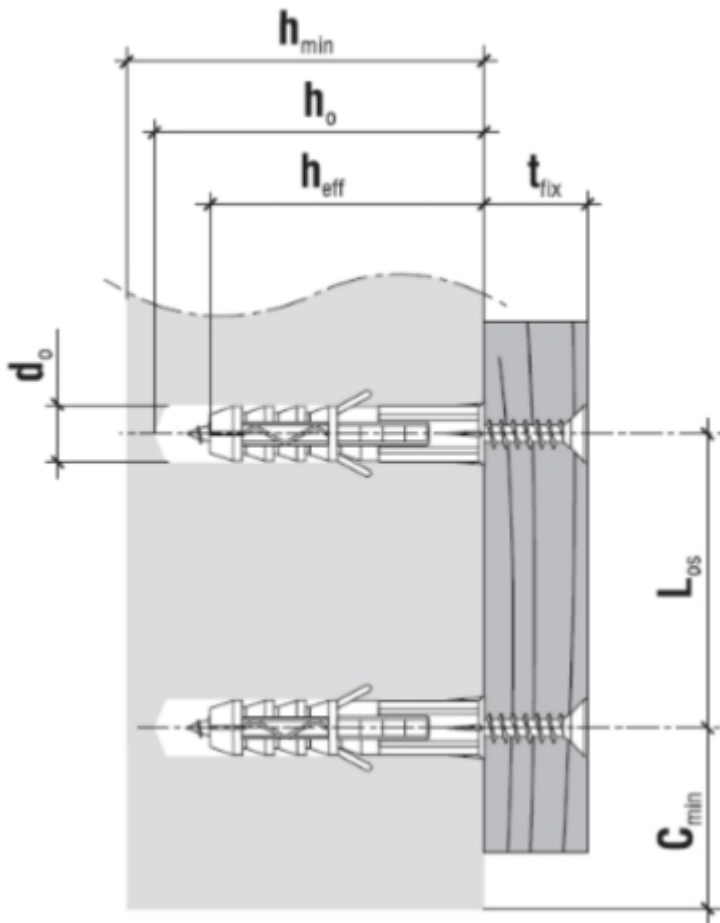
SPECIFICATION

Material:	<ul style="list-style-type: none">• Expansion plug, Polypropylene• Screw, Steel galvanized
Drilling diameter:	10 mm
Expansion plug length:	50 mm
Screw dimensions:	Ø 5 x 60 mm, PZ-2
Application:	<ul style="list-style-type: none">• Concrete• Solid clay brick• Solid sand-lime brick
Manufacturer / Brand:	KLIMAS
Guarantee:	2 years

PRESENTATION



Method of mounting:



Hole/drill diameter [d_0] - 10 mm
 Min. substrate thickness [h_{min}] - 75 mm
 Drilled hole depth [h_o] - 60 mm
 Anchorage depth [h_{eff}] - 50 mm
 Max. usable length [t_{fix}] - 10 mm
 Min. axial distance (concrete/other substrate) [L_{os}] - 100/150 mm
 Min. distance from edge [c_{min}] - 100 mm

PACKAGE

Dimensions (L x W x H): 0x0x0 mm	Gross Weight: 0 kg
----------------------------------	--------------------

