

Code: KW-10/6X60

EXPANSION PLUG **KW-10/6X60** KLIMAS

Net: **0.17 EUR** Gross: **0.17 EUR**

Expansion plug for solid substrates with countersunk head screw.

The expansion plug is designed for fixing of light-duty interior finish systems, wood members and lightweight installations or mounting clamps on solid substrates.

Types of substrates for installation: plain concrete of class not lower than C20/25 (PN-EN 206/1:2003), solid clay brick of class not lower than 15 (PN-EN 771-1:2011), aerated concrete of variety 600, class 5 (PN-EN 771-4:2011) and solid sand-lime brick of class 20 (PN-EN 771-2:2011).



SPECIFICATION

Material:	<ul style="list-style-type: none">• Expansion plug, Polypropylene• Screw, Steel galvanized
Drilling diameter:	10 mm
Expansion plug length:	60 mm
Screw dimensions:	Ø 6 x 60 mm, PZ-3
Application:	<ul style="list-style-type: none">• Concrete• Solid clay brick• Solid sand-lime brick
Manufacturer / Brand:	KLIMAS
Guarantee:	2 years

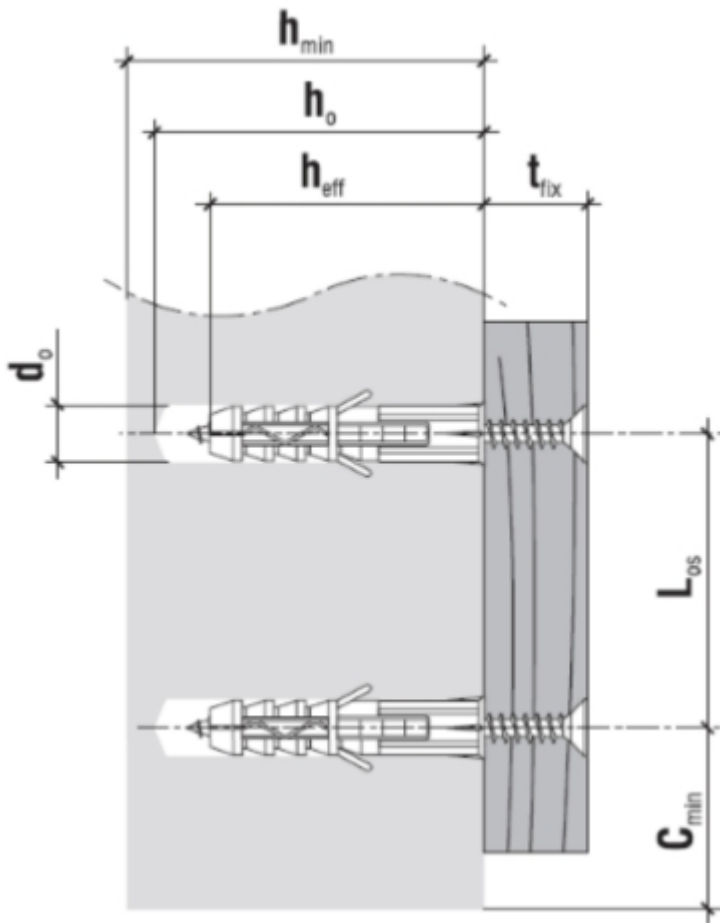
PRESENTATION



Method of mounting:



DELTA-OPTI Monika Matysiak; <https://www.delta.poznan.pl>
POL; 60-713 Poznań; Graniczna 10
e-mail: delta-opti@delta.poznan.pl; tel: +(48) 61 864 69 60



Hole/drill diameter $[d_o]$ - 10 mm
 Min. substrate thickness $[h_{min}]$ - 90 mm
 Drilled hole depth $[h_o]$ - 70 mm
 Anchorage depth $[h_{eff}]$ - 60 mm
 Max. usable length $[t_{fix}]$ - 1 mm
 Min. axial distance (concrete/other substrate) $[L_{os}]$ - 120/180 mm
 Min. distance from edge $[c_{min}]$ - 120 mm

PACKAGE

Dimensions (L x W x H): 0x0x0 mm	Gross Weight: 0 kg
----------------------------------	--------------------

