

Code: KS-12/8X60

EXPANSION PLUG **KS-12/8X60** KLIMAS

Net: **0.27 EUR** Gross: **0.33 EUR**

Expansion plug for solid substrates with hex head screw.

The expansion plug is designed for fixing of light-duty interior finish systems, metal members and lightweight installations or mounting clamps on solid substrates.

Types of substrates for installation: plain concrete of class not lower than C20/25 (PN-EN 206/1:2003), solid clay brick of class not lower than 15 (PN-EN 771-1:2011), aerated concrete of variety 600, class 5 (PN-EN 771-4:2011) and solid sand-lime brick of class 20 (PN-EN 771-2:2011).



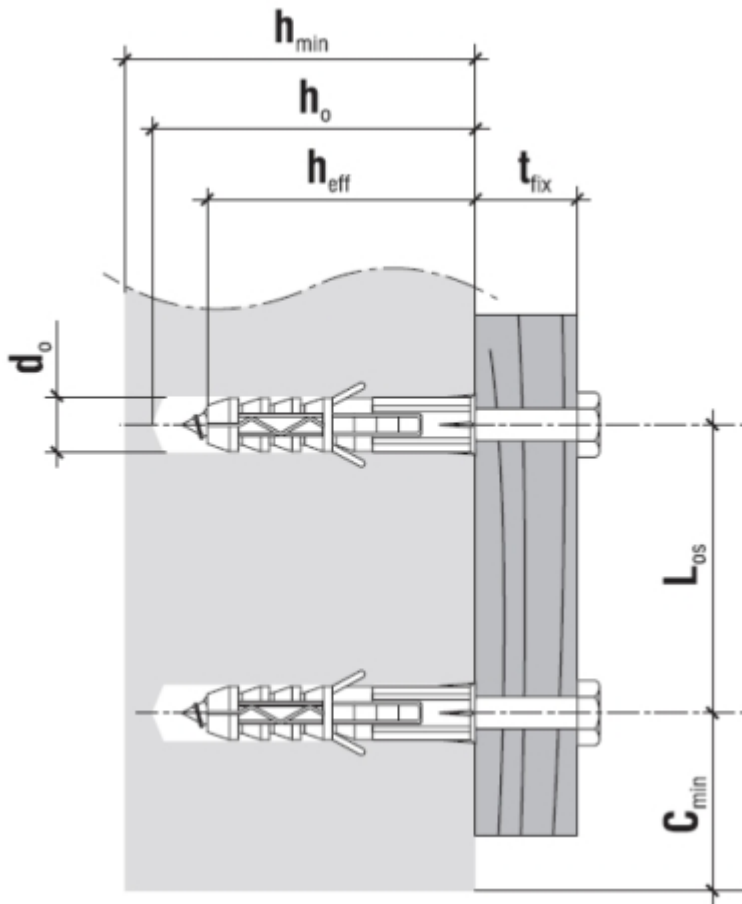
SPECIFICATION

Material:	<ul style="list-style-type: none">• Expansion plug, Polypropylene• Screw, Steel galvanized
Drilling diameter:	12 mm
Expansion plug length:	60 mm
Screw dimensions:	Ø 8 x 60 mm, SW-13
Application:	<ul style="list-style-type: none">• Concrete• Solid clay brick• Solid sand-lime brick
Manufacturer / Brand:	KLIMAS
Guarantee:	2 years

PRESENTATION



Method of mounting:



Hole/drill diameter $[d_0]$ - 12 mm
 Min. substrate thickness $[h_{min}]$ - 90 mm
 Drilled hole depth $[h_0]$ - 70 mm
 Anchorage depth $[h_{eff}]$ - 60 mm
 Max. usable length $[t_{fix}]$ - 1 mm
 Min. axial distance (concrete/other substrate) $[L_{os}]$ - 120/180 mm
 Min. distance from edge $[c_{min}]$ - 120 mm

PACKAGE

Dimensions (L x W x H): 0x0x0 mm	Gross Weight: 0 kg
----------------------------------	--------------------