

Code: FID-90

STYROFOAM PLUG FISCHER **FID-90**

Net: 1.26 EUR Gross: 1.26 EUR



SPECIFICATION

Length:	90 mm
Diameter:	Ø 25 mm
Thickness of the Styrofoam:	≥ 90 mm
Diameter of the screw:	Ø 6 mm
Weight:	0.012 kg
Guarantee:	2 years

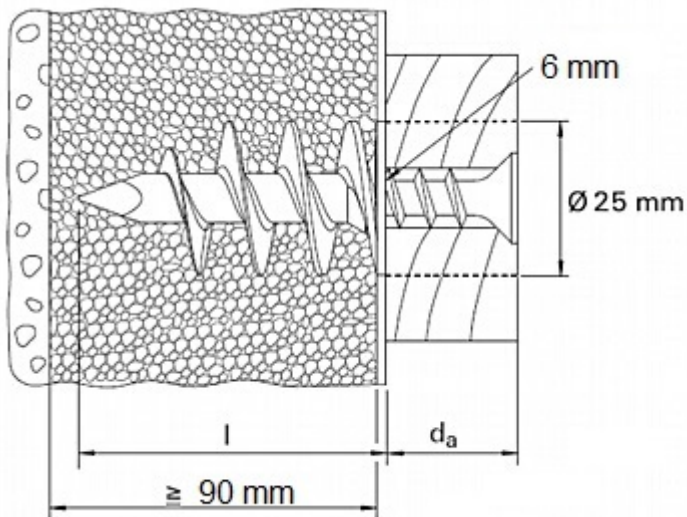
PRESENTATION



DELTA-OPTI Monika Matysiak; <https://www.delta.poznan.pl>
POL; 60-713 Poznań; Graniczna 10
e-mail: delta-opti@delta.poznan.pl; tel: +(48) 61 864 69 60



Dimensions:



PACKAGE

Dimensions (L x W x H): 0x0x0 mm	Gross Weight: 0 kg
----------------------------------	--------------------



DELTA-OPTI Monika Matysiak; <https://www.delta.poznan.pl>
POL; 60-713 Poznań; Graniczna 10
e-mail: delta-opti@delta.poznan.pl; tel: +(48) 61 864 69 60