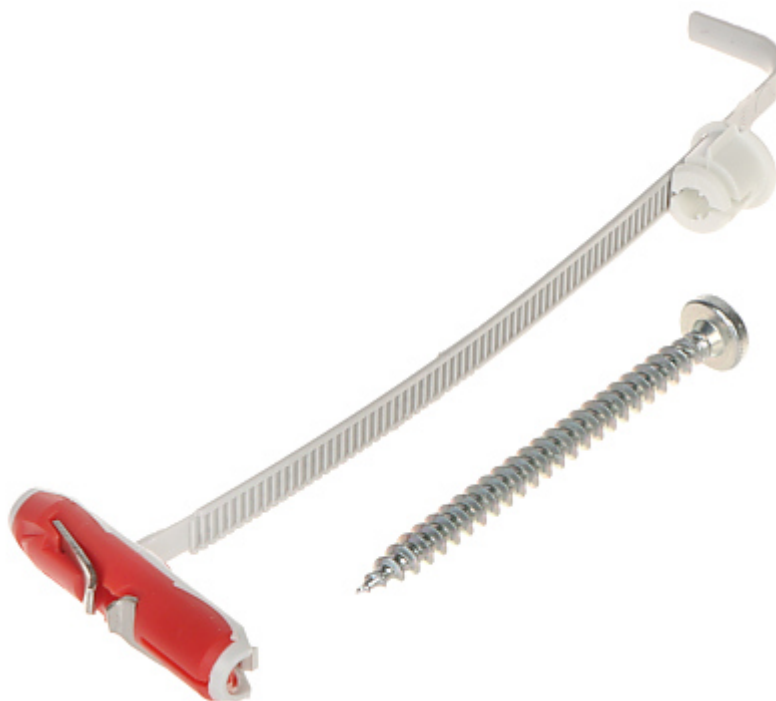


Code: DUOTEC-10/SPH

TOGGLE PLUG **DUOTEC-10/SPH** Fischer

Net: **1.10 EUR** Gross: **1.10 EUR**

Toggle plug with pan head screw. It is an easy-to-install solution for supporting high loads in building boards.



SPECIFICATION

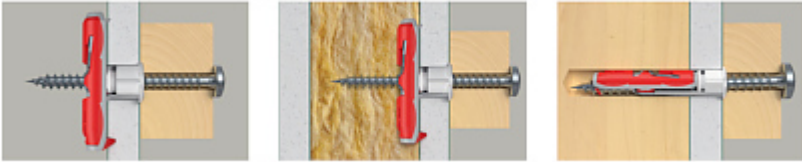
Material:	<ul style="list-style-type: none">• Toggle Plug, Nylon• Screw, Steel galvanized
Drilling diameter:	10 mm
Expansion plug length:	40 mm
Screw dimensions:	Ø 5 x 60 mm
Mounting panel thickness:	9.5 ... 55 mm
Cavity depth:	min. 40 mm
Application:	<ul style="list-style-type: none">• plasterboard• Gypsum fibreboard• OSB board• MDF board• Concrete• Solid clay brick• Solid sand-lime brick
Manufacturer / Brand:	Fischer
Guarantee:	2 years

PRESENTATION

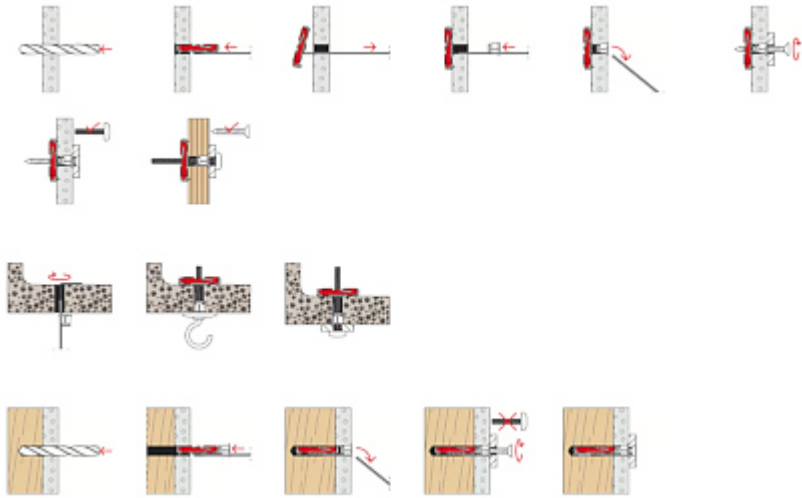
DELTA-OPTI Monika Matysiak; <https://www.delta.poznan.pl>
POL; 60-713 Poznań; Graniczna 10
e-mail: delta-opti@delta.poznan.pl; tel: +(48) 61 864 69 60



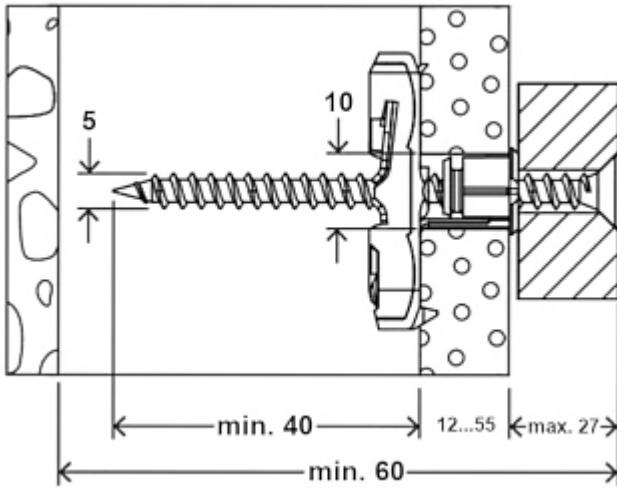
Mounting methods:



Method of mounting:



:
Mounting dimensions:



PACKAGE

Dimensions (L x W x H): 0x0x0 mm	Gross Weight: 0 kg
----------------------------------	--------------------

