

Code: FID-50

STYROFOAM PLUG FISCHER **FID-50**

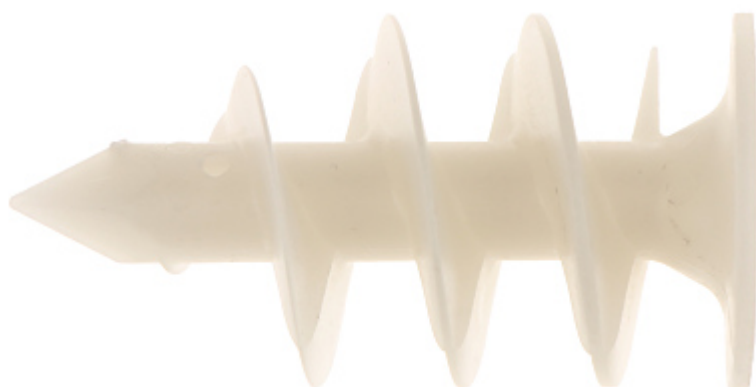
Net: **0.81 EUR** Gross: **0.81 EUR**



SPECIFICATION

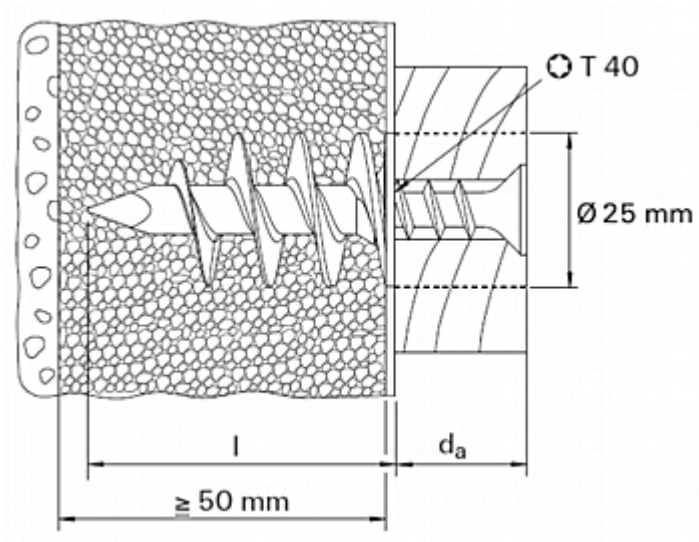
Length:	50 mm
Diameter:	Ø 25 mm
Thickness of the Styrofoam:	≥ 50 mm
Diameter of the screw:	Ø 4.5 mm / Ø 5 mm
Weight:	0.004 kg
Guarantee:	2 years

PRESENTATION



Dimensions:

DELTA-OPTI Monika Matysiak; <https://www.delta.poznan.pl>
POL; 60-713 Poznań; Graniczna 10
e-mail: delta-opti@delta.poznan.pl; tel: +(48) 61 864 69 60



PACKAGE

Dimensions (L x W x H): 0x0x0 mm	Gross Weight: 0 kg
----------------------------------	--------------------