

Code: RAS-R2

DRAWER **RAS-R2** TO RACK CABINET PULSAR

Net: **74.21 EUR** Gross: **91.28 EUR**

The RAS-R2 lockable drawer designed for mounting in RACK 19" cabinets. The drawer can be used successfully to store documentation, spare wires, or small tools.



SPECIFICATION

Width:	19 "
Height:	2 U
Internal depth:	330 mm
Mount:	two-point
Application:	Rack 19" - depth \geq 360 mm
Main features:	<ul style="list-style-type: none">• Shelf slides out up to 260 mm from the front mounting rails• The drawer is locked with a key lock
Dimensions:	<ul style="list-style-type: none">• 400 x 63 x 330 mm - Internal dimensions• 482 x 88 x 360 mm - External dimensions
Weight:	6.09 kg
Manufacturer / Brand:	PULSAR
Guarantee:	2 years

PRESENTATION

Front view:



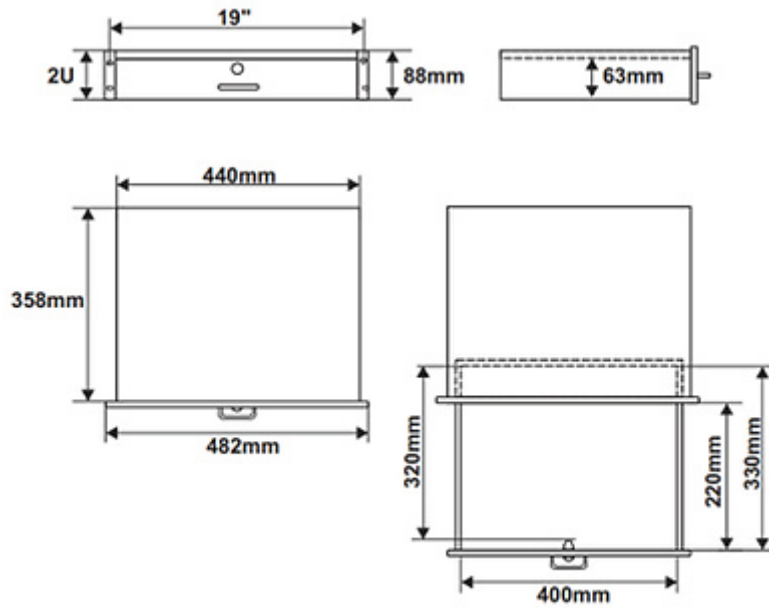
Side view:



Rear view:



Dimensions:



In the kit:



