

Code: RAS-R4

DRAWER **RAS-R4** TO RACK CABINET PULSAR

Net: **69.59 EUR** Gross: **69.59 EUR**

The RAS-R4 lockable drawer designed for mounting in RACK 19" cabinets. The drawer can be used successfully to store documentation, spare wires, or small tools.



SPECIFICATION

Width:	19 "
Height:	4 U
Internal depth:	330 mm
Mount:	four-point
Application:	Rack 19" - depth \geq 360 mm
Main features:	<ul style="list-style-type: none">• Shelf slides out up to 260 mm from the front mounting rails• The drawer is locked with a key lock
Dimensions:	<ul style="list-style-type: none">• 400 x 153 x 330 mm - Internal dimensions• 482 x 176 x 360 mm - External dimensions
Weight:	8.19 kg
Manufacturer / Brand:	PULSAR
Guarantee:	2 years

PRESENTATION

Front view:



Side view:

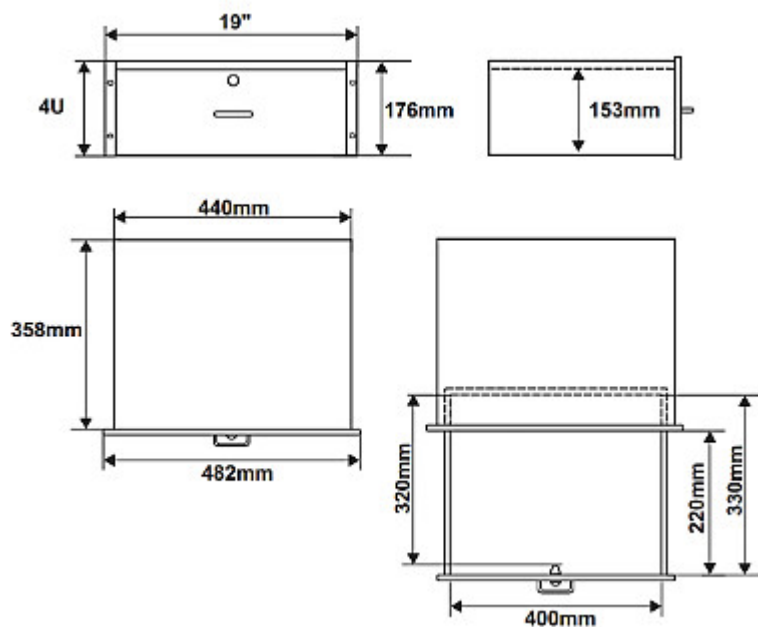


Rear view:



Dimensions:





In the kit:



PACKAGE

Dimensions (L x W x H): 0x0x0 mm	Gross Weight: 0 kg
----------------------------------	--------------------