

Code: DS-1602ZJ-BOX

CAMERA BRACKET **DS-1602ZJ-BOX** Hikvision

Net: **138.41 EUR** Gross: **170.24 EUR**



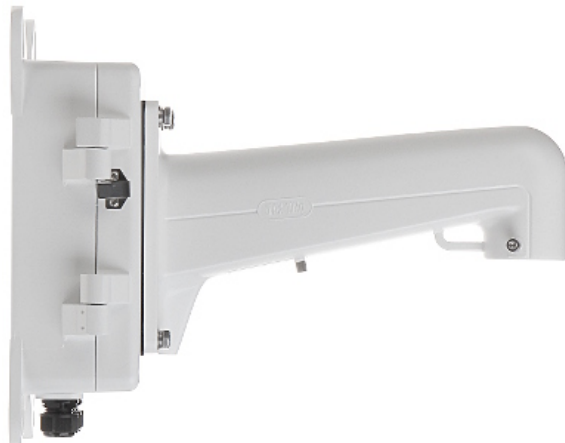
For outdoor use.

SPECIFICATION

Suitable for cameras:	Hikvision
Material:	Aluminum
Color:	White
Weight:	3.32 kg
Dimensions:	400 x 310 x 209 mm
Manufacturer / Brand:	Hikvision
SAP Code:	302700686
Guarantee:	2 years

PRESENTATION

Side view:



DELTA-OPTI Monika Matysiak; <https://www.delta.poznan.pl>
POL; 60-713 Poznań; Graniczna 10
e-mail: delta-opti@delta.poznan.pl; tel: +(48) 61 864 69 60

Bottom view:

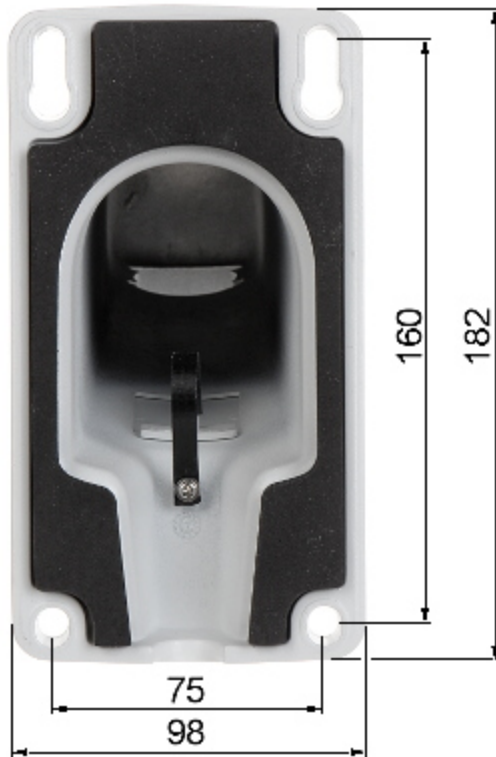






Dimensions:





DELTA-OPTI Monika Matysiak; <https://www.delta.poznan.pl>
 POL; 60-713 Poznań; Graniczna 10
 e-mail: delta-opti@delta.poznan.pl; tel: +(48) 61 864 69 60

In the kit:

