

Code: BCS-ASDD

CAMERA BRACKET **BCS-ASDD**

Net: **21.86 EUR** Gross: **26.89 EUR**



Bracket is perfect to hide connectors, cables and power adapter inside of it.

SPECIFICATION

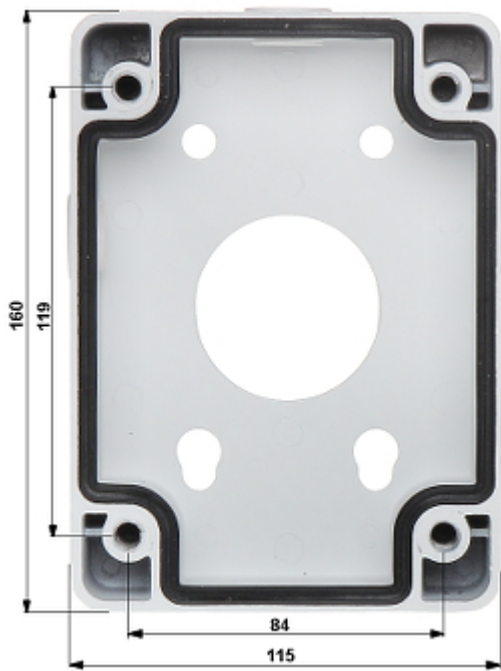
Mounting holes distance:	84 x 119 mm
Number of holes:	4
Suitable for cameras:	BCS-SDIP7320WDR, BCS-SDIP7220, BCS-SDIP7118, BCS-SDIP3220, BCS-SD2023, BCS-SD7023
Material:	Aluminum
Color:	White
Distance from mounting surface:	37 mm
Weight:	0.53 kg
Dimensions:	160 x 116 x 38 mm
Manufacturer / Brand:	BCS
Guarantee:	3 years

PRESENTATION

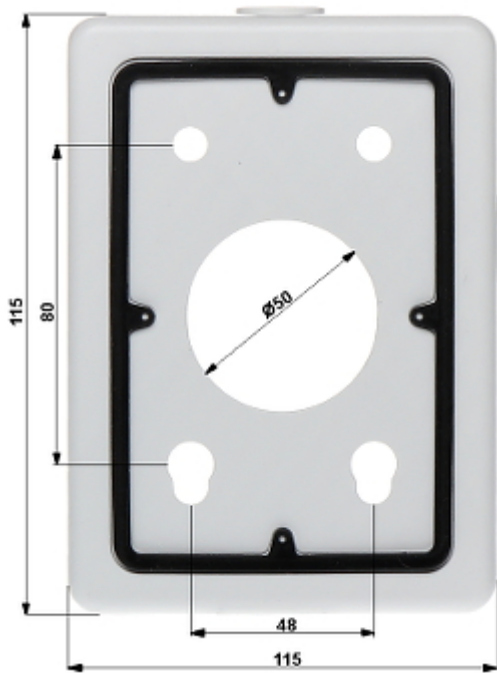
Camera mounting side view:



DELTA-OPTI Monika Matysiak; <https://www.delta.poznan.pl>
POL; 60-713 Poznań; Graniczna 10
e-mail: delta-opti@delta.poznan.pl; tel: +(48) 61 864 69 60



Wall mounting side view:



Side view:



In the kit:



PACKAGE

Dimensions (L x W x H): 0x0x0 mm	Gross Weight: 0 kg
----------------------------------	--------------------

