

Code: PFB302S

## PIPE ADAPTER **PFB302S** DAHUA

Net: **21.81 EUR** Gross: **26.83 EUR**

Adapter allows to mount the pipe connecting to the camera adapter. For outdoor use.



### SPECIFICATION

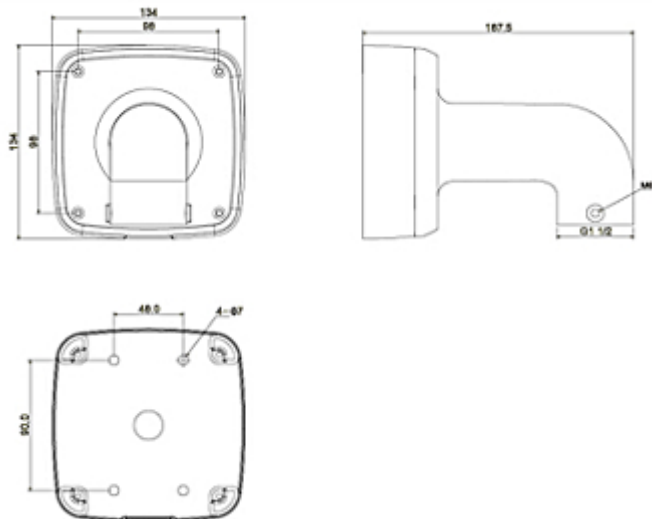
Suitable for cameras:	DAHUA - documentation for download below.
Material:	Aluminum
Color:	White
Weight:	0.7 kg
Dimensions:	134 x 134 x 187.5 mm
Manufacturer / Brand:	DAHUA
Guarantee:	<b>3 years</b>

### PRESENTATION





Dimensions:



In the kit:

