

Code: SD40212T-HN

IP SPEED DOME CAMERA OUTDOOR **SD40212T-HN** - 1080p 5.1 ... 61.2 mm DAHUA

Net: **2 167.00 PLN** Gross: **2 665.41 PLN**

IP camera equipped with very good high resolution sensor. Due to above it is perfect solution for surveillance systems requiring persons or vehicles recognition. For a few models of IP cameras working at 1920 x 1080 resolution we recommend to use of network with 1Gb/s bandwidth.



SPECIFICATION

Standard:	TCP/IP
Sensor:	1/2.7 " Progressive Scan Exmor CMOS
Matrix size:	2.1 Mpx
Resolution:	1920 x 1080 - 1080p 1280 x 720 - 720p 704 x 576 - D1
Scanning system:	Progressive
Lens:	5.1 ... 61.2 mm
View angle:	59 ° ... 5.2 ° (manufacturer data) 60 ° ... 5.9 ° (our tests result)
Optical zoom:	x 12
Digital zoom:	x 16
Min. illumination:	• 0.05 Lux @ F1.6 (color), • 0.005 Lux @ F1.6 (B/W)
S/N ratio:	> 55 dB (AGC off)
Video output:	—
Preset rotation speed:	max. 300 °/s
Rotation speed (manual control):	0.1 °/s ... 300 °/s (horizontal) 0.1 °/s ... 120 °/s (vertical)

DELTA-OPTI Monika Matysiak; <https://www.delta.poznan.pl>
POL; 60-713 Poznań; Graniczna 10
e-mail: delta-opti@delta.poznan.pl; tel: +(48) 61 864 69 60

Horizontal rotation range:	360 ° continuous
Vertical rotation range:	-2 ° ... 90 °
RS-485 interface:	—
Number of presets:	300
Horizontal scan:	✓
Route settings:	8
Image compression method:	H.264 / MJPEG
Bitrate:	32 ... 8192 kbps - H.264 320 ... 16384 kbps - MJPEG
Alarm inputs / outputs:	2 / 1
Audio:	<ul style="list-style-type: none"> • External microphone input • Audio output
Main stream frame rate:	1 ... 25 fps - 1080p 1 ... 50 fps - 720p
Network interface:	10/100 Base-T (RJ-45)
Network protocols:	IPv4/ IPv6, HTTP, HTTPS, SSL, TCP/IP, UDP, UPnP, ICMP, IGMP, SNMP, RTSP, RTP, SMTP, NTP, DHCP, DNS, PPPOE, DDNS, FTP, IP Filter, QoS, Bonjour, 802.1x
WEB Server:	Built-in, NVR compliance
Max. number of on-line users:	20
ONVIF:	2.42
Memory card slot:	Micro SD memory cards up to 128GB support (possible local recording)
Main features:	<ul style="list-style-type: none"> • ICR - Movable InfraRed filter • WDR - 120 dB - Wide Dynamic Range • 3D-DNR - Digital Noise Reduction • Configurable Privacy Zones - 24 • BLC/HLC - Back Light / High Light Compensation • Sharpness - sharper image outlines • Mirror - Mirror image • Day/Night mode (color/b&w/auto) • IVS analysis : crossing the line (tripwire), intrusion, abandoned/missing object, scene changing, face detection
Mobile phones support:	Port 37777 <ul style="list-style-type: none"> • Android: Free application gDMSS Plus • iOS (iPhone): Free application iDMSS Plus
Default admin user / password:	admin / admin
Default IP address:	192.168.1.108
Web browser access ports:	80, 37777
PC client access ports:	37777
Mobile client access ports:	37777
Port ONVIF:	80
RTSP URL:	rtsp://admin:hasło@192.168.1.108:554/cam/realmonitor?channel=1&subtype=0 - Main stream rtsp://admin:hasło@192.168.1.108:554/cam/realmonitor?channel=1&subtype=1 - Sub stream
Power supply:	<ul style="list-style-type: none"> • PoE (802.3at), • 24 V AC / 1.5 A (power adapter included)
Housing:	Speed Dome Metal
Color:	White
Operation temp:	-40 °C ... 70 °C

"Index of Protection":	IP66
Weight:	2.9 kg (with bracket)
Dimensions:	Ø 186 x 415 mm (with bracket)
Supported languages:	English, Polish
Manufacturer / Brand:	DAHUA
Guarantee:	3 years

PRESENTATION

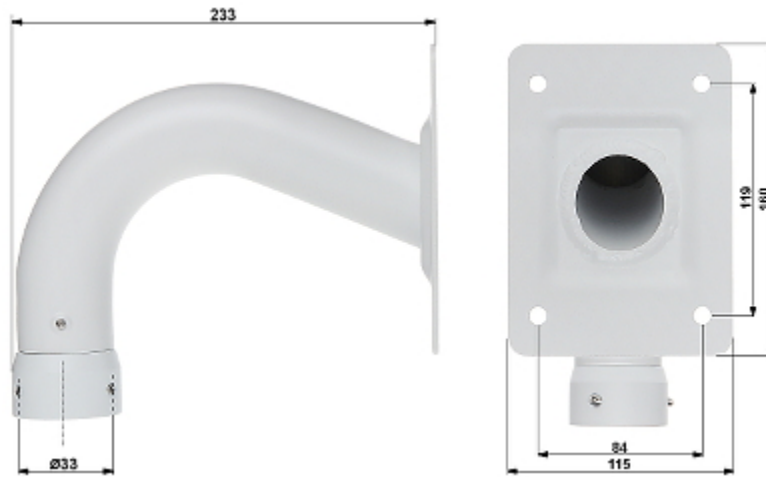
Bottom view:



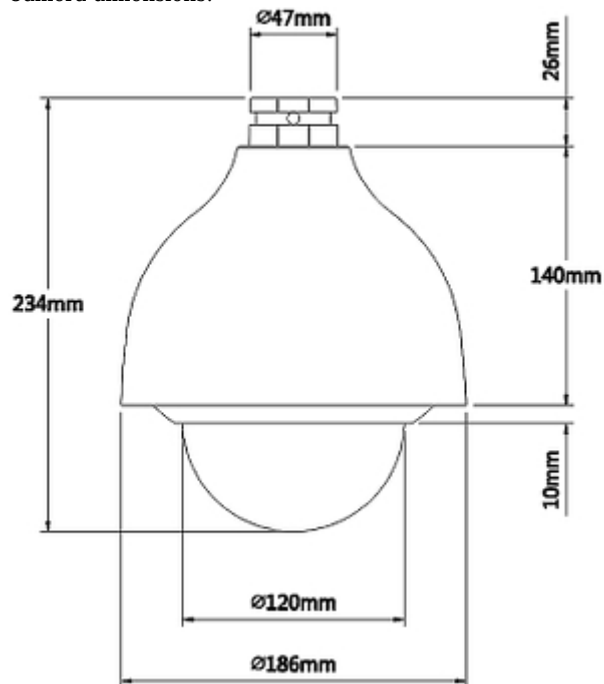
Memory card slot:



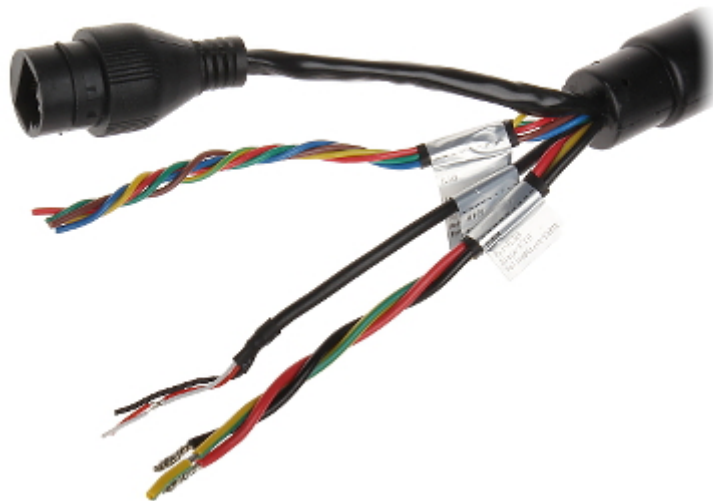
Bracket dimensions:



Camera dimensions:



Connectors:



Connectors description:



In the kit:



OUR TESTS

Camera image at artificial illumination (about 30Lux):



Camera image at night conditions with internal built-in IR illuminator on:



Camera image at direct strong light opposite to camera:



Camera image at night conditions, at different illumination values show below:

1 LUX:



0.1 LUX:



0.01 LUX:



0.001 LUX:

