

Code: SD50430U-HNI

IP SPEED DOME CAMERA OUTDOOR **SD50430U-HNI** - 4.0 Mpx, 4.5 ... 135 mm DAHUA

Net: **1 300.03 EUR** Gross: **1 599.04 EUR**

IP camera with efficient H.264 / H.265 image compression algorithm for clear and smooth video streaming at maximal resolution of 2592 x 1520 (4.0 MPx). Due to above it is perfect solution for surveillance systems requiring persons or vehicles recognition.

PoE powering possibility, compatible with the 802.3at standard makes the device more universal and easier to install.

For a few models of IP cameras working at 4Mpx resolution we recommend to use of network with 1Gb/s bandwidth.



SPECIFICATION

Standard:	TCP/IP
Sensor:	1/3 " Progressive Scan CMOS
Matrix size:	4.0 Mpx
Resolution:	2592 x 1520 - 4.0 Mpx , 2304 x 1296 - 3.0 Mpx , 1920 x 1080 - 1080p 1280 x 1024 - 1.4 Mpx 1280 x 960 - 1.3 Mpx 1280 x 720 - 720p
Scanning system:	Progressive
Lens:	4.5 ... 135 mm
View angle:	• 60 ° ... 2.2 ° (manufacturer data) • 56 ° ... 3.1 ° (our tests result)
Optical zoom:	x 30
Digital zoom:	x 16
Min. illumination:	• 0.05 Lux @ F1.6 (color), • 0.005 Lux @ F1.6 (B/W)
S/N ratio:	> 55 dB
Video output:	—
Preset rotation speed:	max. 500 °/s

DELTA-OPTI Monika Matysiak; <https://www.delta.poznan.pl>
POL; 60-713 Poznań; Graniczna 10
e-mail: delta-opti@delta.poznan.pl; tel: +(48) 61 864 69 60

Rotation speed (manual control):	0.1 °/s ... 350 °/s (horizontal) 0.1 °/s ... 250 °/s (vertical)
Horizontal rotation range:	360 ° continuous
Vertical rotation range:	0 ° ... 90 °
RS-485 interface:	—
Number of presets:	300
Horizontal scan:	✓
Route settings:	8
Image compression method:	H.265+ / H.265 / H.264+ / H.264 / MJPEG
Bitrate:	448 ... 8192 kbps
Alarm inputs / outputs:	2 / 1
Audio:	<ul style="list-style-type: none"> • External microphone input, • Audio output, • Audio detection
Main stream frame rate:	25 fps @ 4.0 Mpx 50 fps @ 1080p
Network interface:	10/100 Base-T (RJ-45)
Network protocols:	IPv4/IPv6, HTTP, HTTPS, SSL, TCP/IP, UDP, UPnP, ICMP, IGMP, SNMP, RTSP, RTP, SMTP, NTP, DHCP, DNS, PPPoE, DDNS, FTP, IP Filter, QoS, Bonjour, IEEE 802.1x
WEB Server:	Built-in, NVR compliance
Max. number of on-line users:	20
ONVIF:	16.12
Memory card slot:	Micro SD memory cards up to 128GB support (possible local recording)
Main features:	<ul style="list-style-type: none"> • Intelligent Object Tracking • WDR - 120 dB - Wide Dynamic Range • 2D-DNR, 3D-DNR - Digital Noise Reduction • EIS - Electronic Image Stabilization • ROI - improve the quality of selected parts of image • BLC/HLC - Back Light / High Light Compensation • ICR - Movable InfraRed filter • Configurable Privacy Zones - 24 • Motion Detection • Sharpness - sharper image outlines • Day/Night mode (color/b&w/auto) • Mirror - Mirror image • Audio detection • Heat map - the selection in the image by corresponding colors the areas with different traffic • IVS analysis : crossing the line (tripwire), intrusion, abandoned/missing object, scene changing, face detection
Mobile phones support:	Port 37777 <ul style="list-style-type: none"> • Android: Free application DMSS • iOS (iPhone): Free application DMSS
Default IP address:	192.168.1.108
Default admin user / password:	admin / - The administrator password should be set at the first start
Web browser access ports:	80, 37777
PC client access ports:	37777
Mobile client access ports:	37777
Port ONVIF:	80



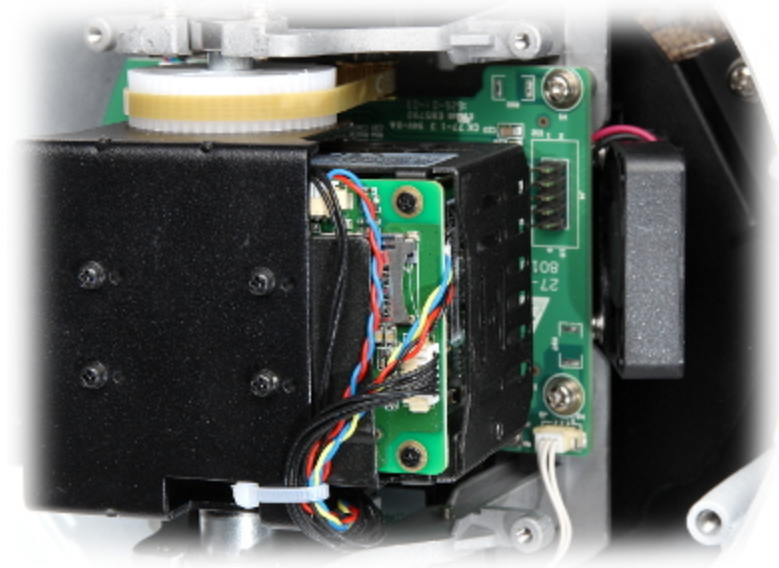
RTSP URL:	rtsp://admin:haslo@192.168.1.108:554/cam/realmonitor?channel=1&subtype=0 - Main stream rtsp://admin:haslo@192.168.1.108:554/cam/realmonitor?channel=1&subtype=1 - Sub stream
Power supply:	<ul style="list-style-type: none"> • PoE (802.3at), • 24 V AC / 1.5 A (power adapter included)
Power consumption:	<ul style="list-style-type: none"> • ≤ 13 W • ≤ 23 W - Heater on
Housing:	Speed Dome Metal
Color:	White
"Index of Protection":	IP67
Vandal-proof:	IK10
Operation temp:	-40 °C ... 60 °C
Weight:	3.2 kg (with bracket)
Dimensions:	Ø 186 x 415 mm (with bracket)
Supported languages:	Polish, English
Manufacturer / Brand:	DAHUA
Guarantee:	3 years

PRESENTATION

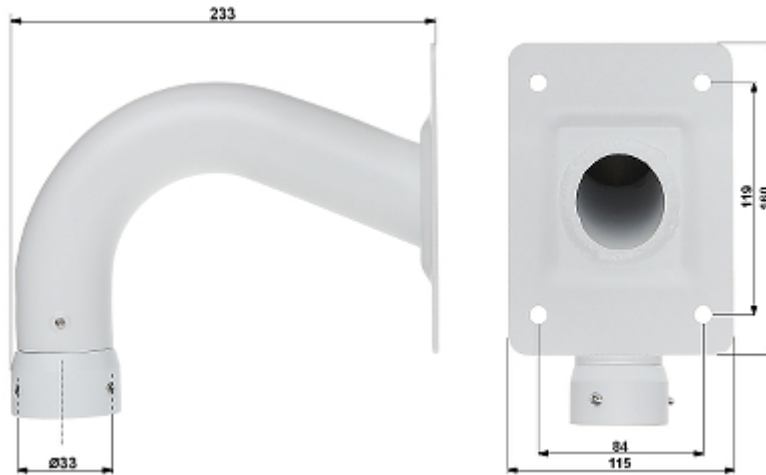
Bottom view:



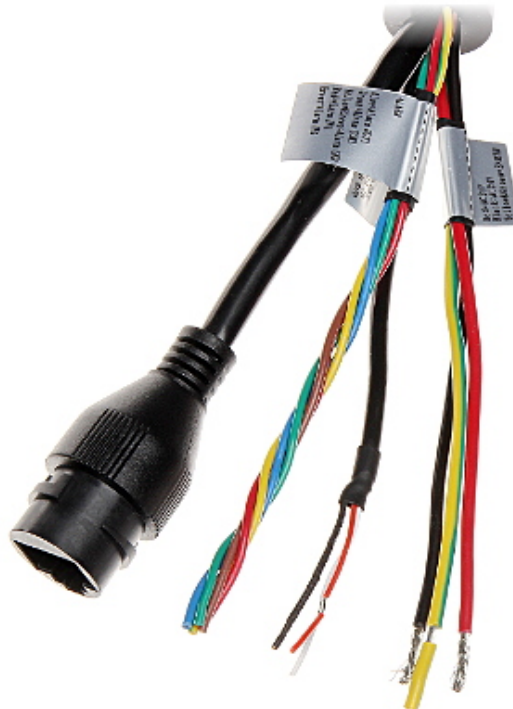
Memory card slot:



Bracket dimensions:



Connectors:



Connectors description:



See how to initialize DAHUA cameras:

:

In the kit:

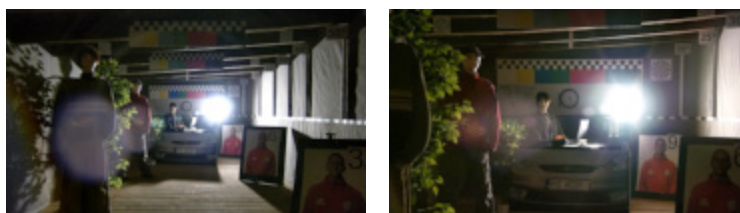


OUR TESTS

Camera image at artificial illumination (about 30Lux):



Camera image at direct strong light opposite to camera:



DELTA-OPTI Monika Matysiak; <https://www.delta.poznan.pl>
POL; 60-713 Poznań; Graniczna 10
e-mail: delta-opti@delta.poznan.pl; tel: +(48) 61 864 69 60

Camera image at night conditions with external IR illuminator on:



Camera image at night conditions, at different illumination values show below:

1 LUX:



0.1 LUX:



0.01 LUX:



0.001 LUX:

