

Code: SD22204UE-GN

IP SPEED DOME CAMERA OUTDOOR **SD22204UE-GN** - 1080p 2.7 ... 11 mm DAHUA

Net: **1 443.00 PLN** Gross: **1 774.89 PLN**

IP camera equipped with very good high resolution sensor. Due to above it is perfect solution for surveillance systems requiring persons or vehicles recognition. Thanks to the "Starlight" technology used, the camera only needs very low lighting to obtain a clear color image. For a few models of IP cameras working at 4Mpx resolution we recommend to use of network with 1Gb/s bandwidth.



SPECIFICATION

Standard:	TCP/IP
Sensor:	1/2.8 " STARVIS™ CMOS
Matrix size:	2.1 Mpx
Resolution:	1920 x 1080 - 1080p , 1280 x 960 - 1.3 Mpx , 1280 x 720 - 720p
IR illuminator:	—
Lens:	2.7 ... 11 mm
View angle:	• 113 ° ... 30 ° (manufacturer data) • 105 ° ... 35 ° (our tests result)
Optical zoom:	x 4
Digital zoom:	x 16
Min. illumination:	0.005 Lux (color) 0.0005 Lux (B/W)
Preset rotation speed:	• 100 °/s (horizontal) • 60 °/s (vertical)
Rotation speed (manual control):	• 0.1 °/s ... 100 °/s (horizontal) • 0.1 °/s ... 60 °/s (vertical)
Horizontal rotation range:	0 ° ... 355 - Rotation of the head is limited by stops
Vertical rotation range:	0 ° ... 90 °
Protocols:	DH-SD
RS-485 interface:	—
Number of presets:	300

DELTA-OPTI Monika Matysiak; <https://www.delta.poznan.pl>
POL; 60-713 Poznań; Graniczna 10
e-mail: delta-opti@delta.poznan.pl; tel: +(48) 61 864 69 60

Horizontal scan:	—
Route settings:	8
Image compression method:	H.265 / H.264 / MJPEG
Audio:	—
Bitrate:	448 ... 8192 kbps
Alarm inputs / outputs:	—
Main stream frame rate:	25 fps @ 1080p
Network interface:	10/100 Base-TX (RJ-45)
Network protocols:	IPv4/IPv6, HTTP, HTTPS, SSL, TCP/IP, UDP, UPnP, ICMP, IGMP, SNMP, RTSP, RTP, SMTP, NTP, DHCP, DNS, PPPoE, DDNS, FTP, IP Filter, QoS, Bonjour, IEEE 802.1x
Memory card slot:	Micro SD memory cards up to 128GB support (possible local recording)
WEB Server:	Built-in, NVR compliance
Max. number of on-line users:	20
ONVIF:	18.06
Mobile phones support:	Port 37777 <ul style="list-style-type: none"> • Android: Free application DMSS • iOS (iPhone): Free application DMSS
Main features:	<ul style="list-style-type: none"> • WDR - 120 dB - Wide Dynamic Range • 2D-DNR, 3D-DNR - Digital Noise Reduction • F-DNR (Defog) - Reduction of image noise caused by precipitation • ROI - improve the quality of selected parts of image • BLC/HLC - Back Light / High Light Compensation • Motion Detection • Configurable Privacy Zones • Sharpness - sharper image outlines • ICR - Movable InfraRed filter • AGC - Automatic Gain Control • Day/night mode • IVS analysis : face detection, crossing the line (tripwire), intrusion, abandoned/missing object • Parking action - this function enables to locate the camera to specific position automatically if operator doesn't operate the controller for some time
Power supply:	12 V DC / 460 mA
Power consumption:	≤ 5.5 W
Housing:	Speed Dome, Metal
Color:	White
Supported languages:	Polish, English, Czech, French, Spanish, Dutch, German, Portuguese, Russian, Italian
Operation temp:	-30 °C ... 60 °C
"Index of Protection":	IP66
Vandal-proof:	IK10
Weight:	0.57 kg
Dimensions:	Ø 123 x 89 mm
Manufacturer / Brand:	DAHUA
Guarantee:	3 years

PRESENTATION

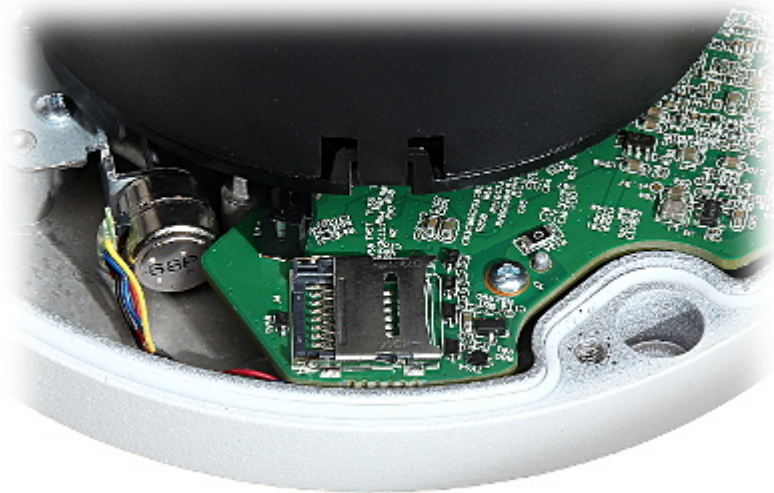
Camera view after remove the Dome cover:



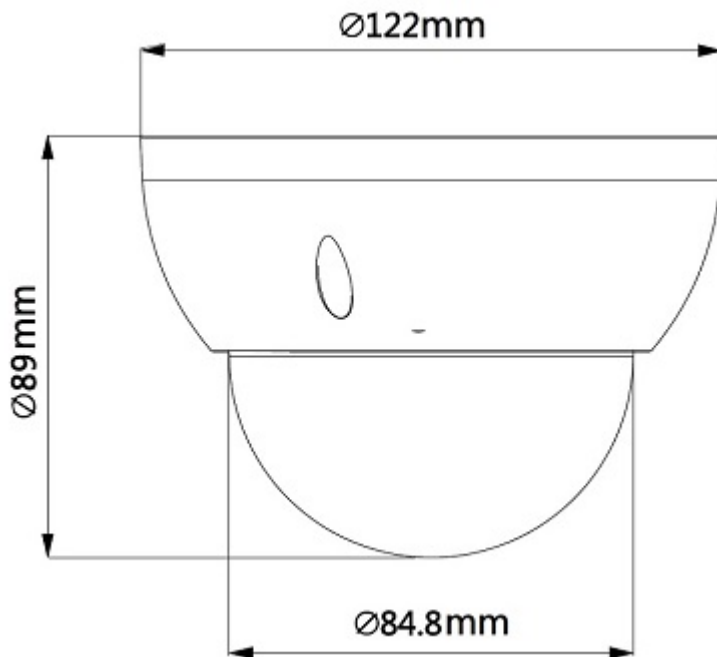
DELTA-OPTI Monika Matysiak; <https://www.delta.poznan.pl>
POL; 60-713 Poznań; Graniczna 10
e-mail: delta-opti@delta.poznan.pl; tel: +(48) 61 864 69 60



Memory card slot:



Camera dimensions:



Camera mounting dimensions:



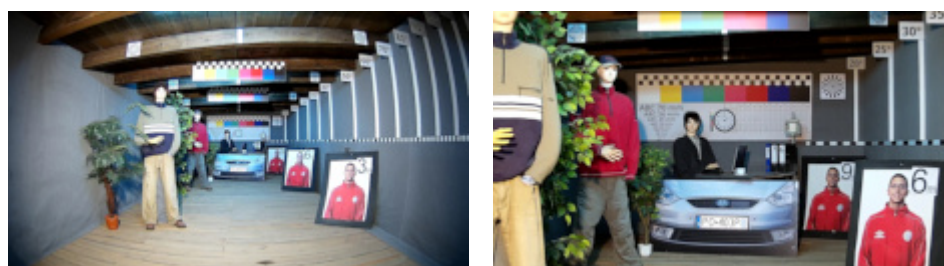
See how to initialize DAHUA cameras:

:
In the kit:



OUR TESTS

Camera image at artificial illumination (about 30Lux):



DELTA-OPTI Monika Matysiak; <https://www.delta.poznan.pl>
POL; 60-713 Poznań; Graniczna 10
e-mail: delta-opti@delta.poznan.pl; tel: +(48) 61 864 69 60

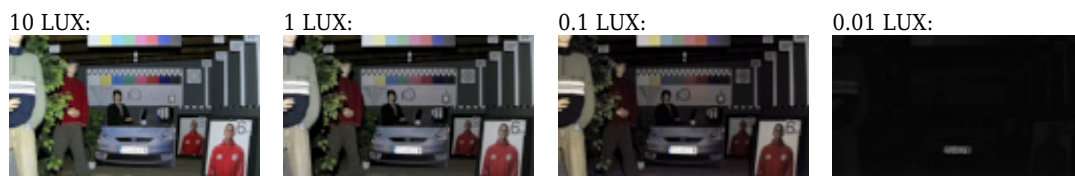
Camera image at direct strong light opposite to camera:



Camera image at night conditions with external IR illuminator on:



Camera image at night conditions, at different illumination values show below:



PACKAGE

Dimensions (L x W x H): 0x0x0 mm	Gross Weight: 0 kg
----------------------------------	--------------------