

Code: SD65F233XA-HNR

IP SPEED DOME CAMERA OUTDOOR **SD65F233XA-HNR** - 1080p 5.8 ... 191.4 mm DAHUA

Net: **1 512.02 EUR** Gross: **1 859.78 EUR**

IP camera with efficient H.264 / H.265 image compression algorithm for clear and smooth video streaming at maximal resolution of 1080p. Due to above it is perfect solution for surveillance systems requiring persons or vehicles recognition.

PoE powering possibility, compatible with the 802.3at standard makes the device more universal and easier to install.

For a few models of IP cameras working at $\geq 1920 \times 1080$ resolution we recommend to use of network with 1Gb/s bandwidth.



SPECIFICATION

Standard:	TCP/IP
Sensor:	1/1.8 " Progressive Scan CMOS
Resolution:	1920 x 1080 - 1080p 1280 x 960 - 1.3 Mpx 1280 x 720 - 720p
Lens:	5.8 ... 191.4 mm
View angle:	60 ° ... 3.2 ° (manufacturer data)
Optical zoom:	x 33
Digital zoom:	x 16
Min. illumination:	<ul style="list-style-type: none">• 0.001 Lux @ F1.5 (color),• 0.0001 Lux @ F1.5 (B/W)
Video output:	—
Preset rotation speed:	max. 500 °/s (horizontal) max. 600 °/s (vertical)
Rotation speed (manual control):	0.1 °/s ... 300 °/s (horizontal) 0.1 °/s ... 150 °/s (vertical)
Horizontal rotation range:	360 ° continuous
Vertical rotation range:	-20 ° ... 90 °
RS-485 interface:	—

DELTA-OPTI Monika Matysiak; <https://www.delta.poznan.pl>
POL; 60-713 Poznań; Graniczna 10
e-mail: delta-opti@delta.poznan.pl; tel: +(48) 61 864 69 60

Number of presets:	300
Horizontal scan:	✓
Route settings:	8
Image compression method:	H.265+ / H.265 / H.264+ / H.264 / MJPEG
Alarm inputs / outputs:	7 / 2
Audio:	<ul style="list-style-type: none"> • External microphone input • Audio output • Bi-directional audio streaming support
Main stream frame rate:	max. 50 fps - 1080p / 1.3 Mpx / 720p
Network interface:	10/100 Base-T (RJ-45)
Network protocols:	IPv4/IPv6, HTTP, HTTPS, IEEE 802.1x, QoS, FTP, SMTP, UPnP, SNMP, DNS, DDNS, NTP, RTSP, RTP, TCP, UDP, IGMP, ICMP, DHCP, PPPoE, ARP, RTCP
WEB Server:	Built-in
Max. number of on-line users:	20
ONVIF:	✓
Memory card slot:	Micro SD memory cards up to 256GB support (possible local recording)
Main features:	<ul style="list-style-type: none"> • WDR - 120 dB - Wide Dynamic Range • 2D-DNR, 3D-DNR - Digital Noise Reduction • F-DNR (Defog) - Reduction of image noise caused by precipitation • BLC/HLC - Back Light / High Light Compensation • Day/Night mode (color/b&w/auto) • AGC - Automatic Gain Control • ICR - Movable InfraRed filter • ROI - improve the quality of selected parts of image • EIS - Electronic Image Stabilization • Sharpness - sharper image outlines • Motion Detection • Configurable Privacy Zones - 24 • IVS analysis : crossing the line (tripwire), intrusion, abandoned/missing object, scene changing, face detection • Intelligent Object Tracking, • SMD PLUS - searching for an object classified as: human, motor vehicle, non-motor vehicle, • Filtering of false alarms based on the recognition of persons and vehicles
Mobile phones support:	Port 37777 <ul style="list-style-type: none"> • Android: Free application DMSS • iOS (iPhone): Free application DMSS
Default IP address:	192.168.1.108
Default admin user / password:	admin / - The administrator password should be set at the first start
Web browser access ports:	80, 37777
PC client access ports:	37777
Mobile client access ports:	37777
Port ONVIF:	80
RTSP URL:	rtsp://admin:hasło@192.168.1.108:554/cam/realmonitor?channel=1&subtype=0 - Main stream rtsp://admin:hasło@192.168.1.108:554/cam/realmonitor?channel=1&subtype=1 - Sub stream
Power supply:	<ul style="list-style-type: none"> • PoE (802.3at), • 24 V AC / 3 A (power adapter included)
Power consumption:	<ul style="list-style-type: none"> • ≤ 20 W • ≤ 34 W - Heater on
Housing:	Speed Dome Metal
Color:	White

"Index of Protection":	IP67
Vandal-proof:	IK10
Operation temp:	-40 °C ... 70 °C
Weight:	5.13 kg (without bracket)
Dimensions:	242 x 350 x 410 mm
Supported languages:	Polish, English
Manufacturer / Brand:	DAHUA
Guarantee:	3 years

PRESENTATION

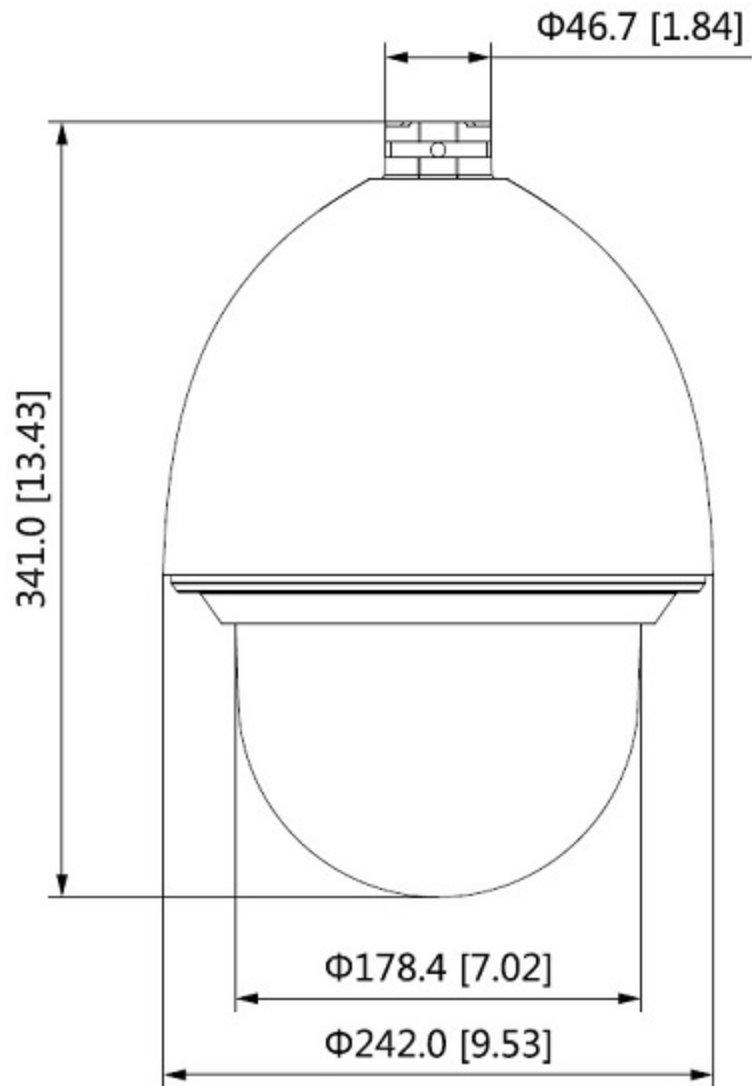
Bottom view:



Bracket dimensions:



Camera dimensions:



See how to initialize DAHUA cameras:

: