

Code: SD52C432XA-HNR

# IP SPEED DOME CAMERA OUTDOOR **SD52C432XA-HNR** - 3.7 Mpx, 4.9 ... 156 mm DAHUA

Net: **1 207.97 EUR** Gross: **1 485.80 EUR**

IP camera with efficient H.264 / H.265 image compression algorithm for clear and smooth video streaming at maximal resolution of 4 MPx. Due to above it is perfect solution for surveillance systems requiring persons or vehicles recognition.

PoE powering possibility, compatible with the 802.3at standard makes the device more universal and easier to install.

For a few models of IP cameras working at 4Mpx resolution we recommend to use of network with 1Gb/s bandwidth.



## SPECIFICATION

Standard:	TCP/IP
Sensor:	1/2.8 " STARVIS™ CMOS
Matrix size:	4 Mpx
Resolution:	2560 x 1440 - 3.7 Mpx , 2048 x 1536 - 3 Mpx , 1920 x 1080 - 1080p , 1280 x 960 - 1.3 Mpx , 1280 x 720 - 720p
Lens:	4.9 ... 156 mm
View angle:	• 62 ° ... 2.1 ° (manufacturer data) • 52 ° ... 2.6 ° (our tests result)
Optical zoom:	x 32
Digital zoom:	x 16
Min. illumination:	• 0.005 Lux @ F1.35 (color), • 0.0005 Lux @ F1.35 (B/W)
Video output:	—
Preset rotation speed:	max. 500 °/s
Rotation speed (manual control):	0.1 °/s ... 350 °/s (horizontal) 0.1 °/s ... 250 °/s (vertical)
Horizontal rotation range:	360 ° continuous

DELTA-OPTI Monika Matysiak; <https://www.delta.poznan.pl>  
POL; 60-713 Poznań; Graniczna 10  
e-mail: [delta-opti@delta.poznan.pl](mailto:delta-opti@delta.poznan.pl); tel: +(48) 61 864 69 60

Vertical rotation range:	0 ° ... 90 °
RS-485 interface:	PELCO-D/P, DAHUA
Number of presets:	300
Horizontal scan:	✓
Route settings:	8
Image compression method:	H.265+ / H.265 / H.264+ / H.264 / MJPEG
Alarm inputs / outputs:	2 / 1
Audio:	<ul style="list-style-type: none"> <li>• External microphone input</li> <li>• Audio output</li> <li>• Bi-directional audio streaming support</li> <li>• Audio detection</li> </ul>
Main stream frame rate:	25 fps - 4 Mpx
Network interface:	10/100 Base-T (RJ-45)
Network protocols:	IPv4/IPv6, HTTP, HTTPS, IEEE 802.1x, QoS, FTP, SMTP, UPnP, SNMPv1/v2c/v3(MIB-2), DNS, DDNS, NTP, RTSP, RTP, TCP/IP, UDP, IGMP, ICMP, DHCP, PPPoE, ARP, RTCP
WEB Server:	Built-in
Max. number of on-line users:	20
ONVIF:	19.12
Memory card slot:	Micro SD memory cards up to 256GB support (possible local recording)
Main features:	<ul style="list-style-type: none"> <li>• WDR - 120 dB - Wide Dynamic Range</li> <li>• 2D-DNR, 3D-DNR - Digital Noise Reduction</li> <li>• EIS - Electronic Image Stabilization</li> <li>• F-DNR (Defog) - Reduction of image noise caused by precipitation</li> <li>• ROI - improve the quality of selected parts of image</li> <li>• SMD PLUS - searching for an object classified as: human, motor vehicle, non-motor vehicle</li> <li>• BLC/HLC - Back Light / High Light Compensation</li> <li>• Privacy zones - max. 24</li> <li>• ICR - Movable InfraRed filter</li> <li>• Sharpness - sharper image outlines</li> <li>• Mirror - Mirror image</li> <li>• Day/night mode</li> <li>• Intelligent Object Tracking</li> <li>• IVS analysis : crossing the line (tripwire), intrusion, abandoned/missing object, face detection</li> </ul>
Mobile phones support:	Port no.: 37777 or access by a cloud (P2P) <ul style="list-style-type: none"> <li>• Android: Free application <a href="#">DMSS</a></li> <li>• iOS (iPhone): Free application <a href="#">DMSS</a></li> </ul>
Default IP address:	192.168.1.108
Default admin user / password:	admin / - The administrator password should be set at the first start
Web browser access ports:	80, 37777
PC client access ports:	37777
Mobile client access ports:	37777
Port ONVIF:	80
RTSP URL:	rtsp://admin:hasło@192.168.1.108:554/cam/realmonitor?channel=1&subtype=0 - Main stream rtsp://admin:hasło@192.168.1.108:554/cam/realmonitor?channel=1&subtype=1 - Sub stream
Power supply:	<ul style="list-style-type: none"> <li>• PoE (802.3at),</li> <li>• 24 V AC / 1.5 A (power adapter included)</li> </ul>
Power consumption:	≤ 13 W



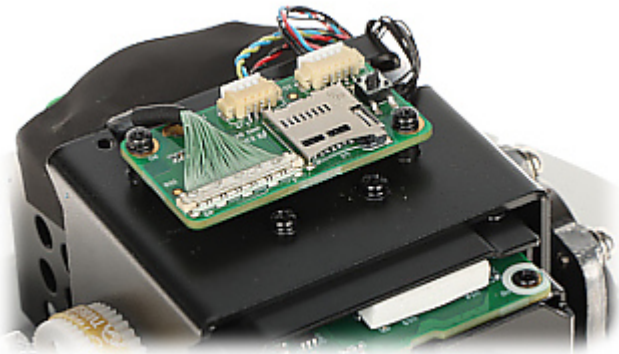
Housing:	Speed Dome Metal
Color:	White
Vandal-proof:	IK10
Operation temp:	-30 °C ... 60 °C
Weight:	2.43 kg
Dimensions:	Ø 198 x 177 mm
Supported languages:	Polish, English, Czech, Spanish, Dutch, French, German, Portuguese, Russian, Italian
Manufacturer / Brand:	DAHUA
Guarantee:	<b>3 years</b>

## PRESENTATION

Camera view after remove the Dome cover:



Memory card slot:

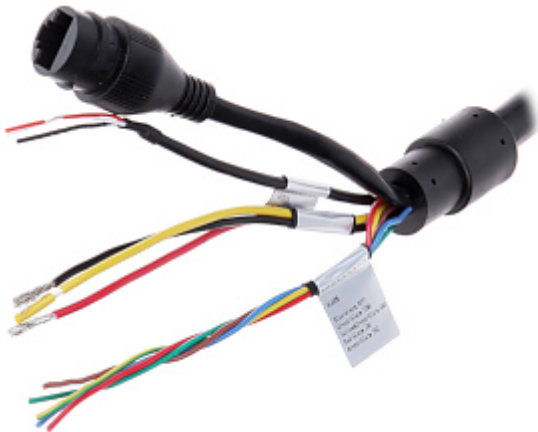


Camera connectors:

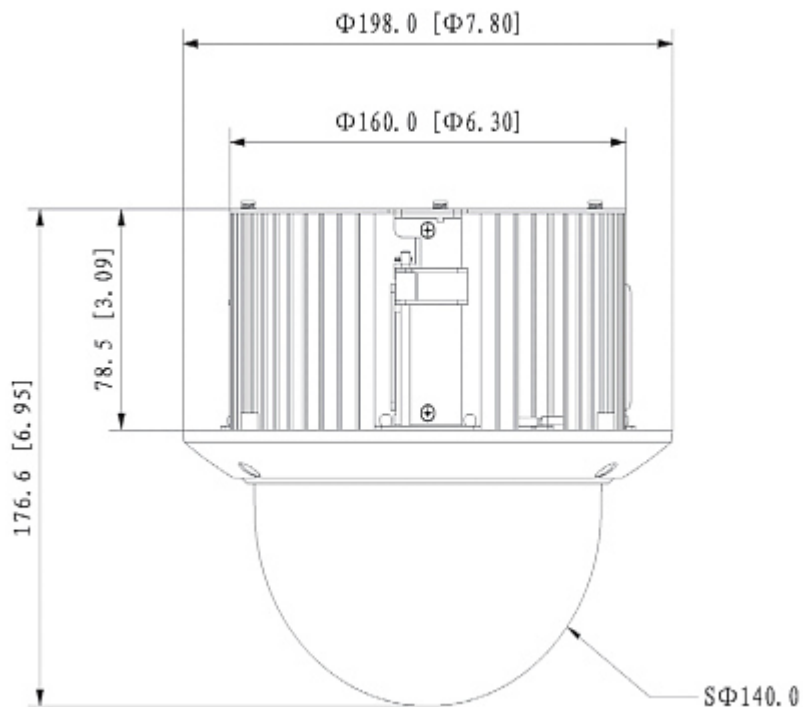




Connectors description:



Camera dimensions:



See how to initialize DAHUA cameras:

:

In the kit:



## OUR TESTS

Camera image at artificial illumination (about 30Lux):



Camera image at night conditions with external IR illuminator on:



DELTA-OPTI Monika Matysiak; <https://www.delta.poznan.pl>  
 POL; 60-713 Poznań; Graniczna 10  
 e-mail: delta-opti@delta.poznan.pl; tel: +(48) 61 864 69 60



Camera image at direct strong light opposite to camera:



Camera image at night conditions, at different illumination values show below:

10 LUX:



1 LUX:



0.1 LUX:



0.01 LUX:

