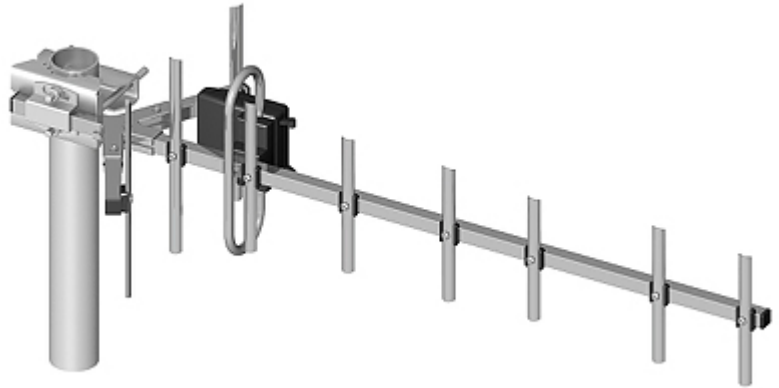


Code: ATK-10/800-980+FME

## DIRECTIONAL ANTENNA **ATK-10/800-980+FME** GSM

Net: **18.62 EUR** Gross: **22.90 EUR**

Antenna with integrated balun. Some antenna parts are made from aluminum, steel construction elements are galvanized.



### SPECIFICATION

Frequency range:	800 ... 980 MHz GSM
Connector:	FME Socket
Gain :	max. 12.8 dBi
Impedance:	50 $\Omega$
Polarization:	Vertical
Main features:	<ul style="list-style-type: none"><li>• Length of the cable : 10 m</li><li>• Number of elements : 10</li><li>• Very easy and quick assembly</li></ul>
Weight:	0.7 kg
Dimensions:	700 mm
Guarantee:	2 years

### PRESENTATION

Antenna connector:



Gain [dBi]:

