

Code: JA-158P

## WIRELESS PIR DETECTOR **JA-158P** JABLOTRON

Price visible after login

The JA-158P is outdoor, wireless, dual zone PIR detector based on an outdoor detector by OPTEX supplemented with a transmitter compatible with JABLOTRON 100 systems. In order to obtain reliable detection, OPTEX company developed a high precision optical system and a quite new pyro-element, which together create configuration area with 94 detection zones with the same density, both near the detector and at the end of its nominal range. The use of the newest technologies, which are a breakthrough in the field of PIR detectors, the JA-158P device is one of the best among detection systems. Offered solutions meet the customers and installers needs.

The JA-158P detector utilizing the AND detection pattern technology - upper and lower detection areas have to be activated in order to generate an alarm condition. The primary detection zone configuration prevents false alarms caused by pets or small animals. Modular unit makes the device easy to install, and the terminals and configuration switches arrangement is very useful for installers, which ensures quick cables installation and easy access to all switches.

**Attention!** Battery not included.



### SPECIFICATION

Support:	JABLOTRON 100
Power supply:	2 Lithium batteries CR123A (3.0 V 1500 mAh) - included - Battery not included
Battery lifetime:	about 3 years (at 120 s sleep time)
Frequency range:	868.1 MHz JABLOTRON protocol
Radio communication range (at open area):	about 300 m
Detection angle / Detection range:	85 ° / 12 m
Recommended installation height:	2.5 ... 3 m
Environment class:	IV according to EN 50131-1
"Index of Protection":	IP55
Operation temp:	-20 °C ... 60 °C
Complies with norms:	ETSI EN 300 220, EN 50130-4, EN 55022, EN 60950-1, EN 50581, It can be used according to ERC REC 70-03
Main features:	<ul style="list-style-type: none"><li>• Wide-angle detection characteristics</li><li>• Patented active "Anti-Masking" technology</li><li>• Range 12 x 12 m</li><li>• 2 PIR detectors</li><li>• Intelligent AND logic</li><li>• Advanced temperature compensation</li><li>• Summer Night Compensation Logic algorithm</li><li>• Vegetation sway analysis logic</li></ul>
Weight:	0.6 kg
Dimensions:	266 x 99 x 205 mm (with bracket)
Manufacturer / Brand:	JABLOTRON
Guarantee:	2 years

### PRESENTATION

DELTA-OPTI Monika Matysiak; <https://www.delta.poznan.pl>  
POL; 60-713 Poznań; Graniczna 10  
e-mail: [delta-opti@delta.poznan.pl](mailto:delta-opti@delta.poznan.pl); tel: +(48) 61 864 69 60

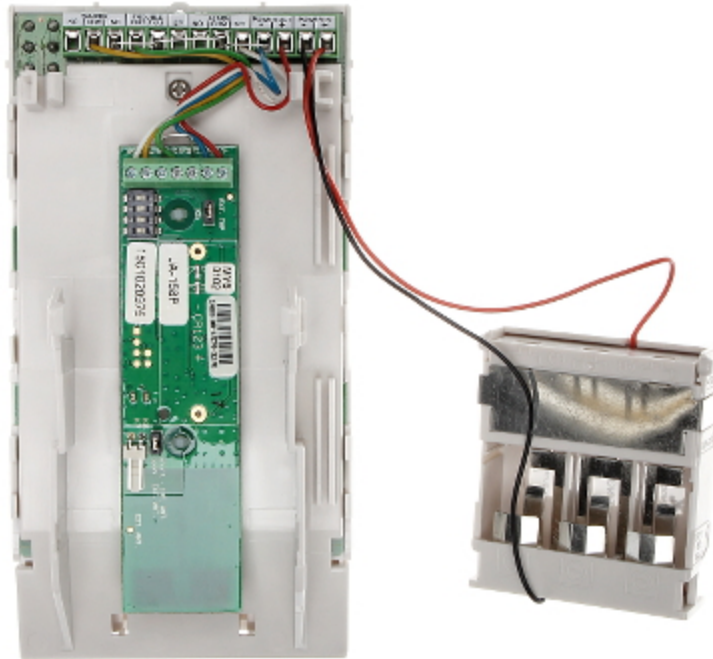
Side view:



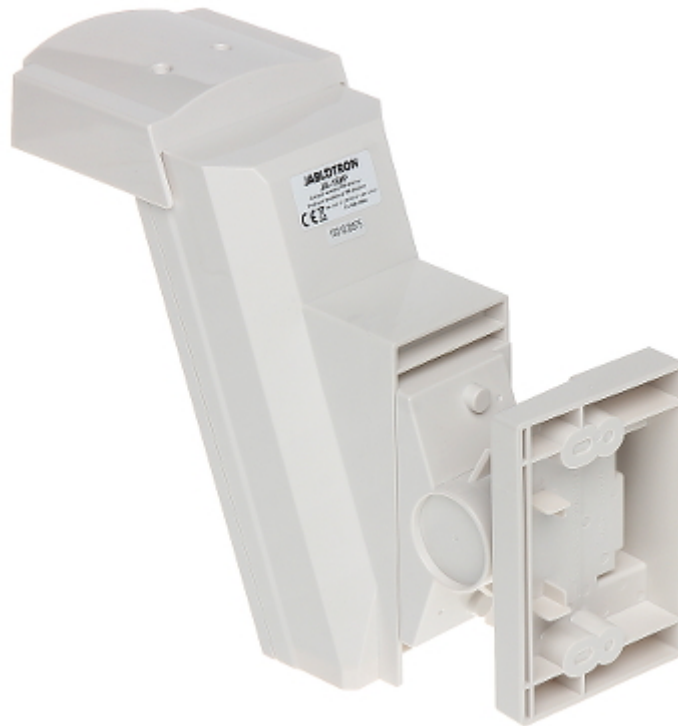
View after remove the lens (both detectors are visible):



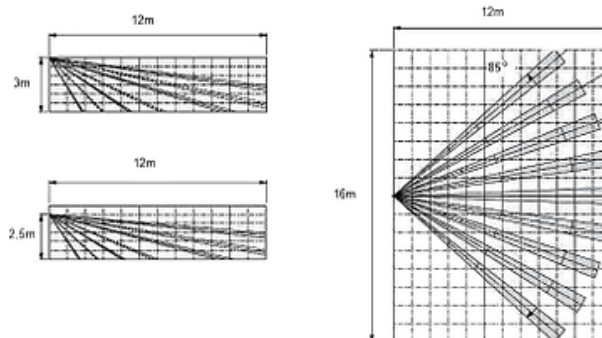
Detector removed from the housing (terminals and place for batteries visible):



Mounting side view:

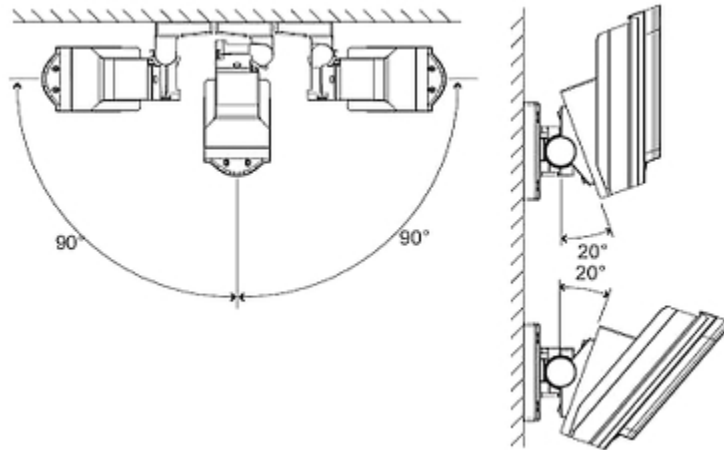


Detection range depending on various installation heights (2.5 and 3 m):

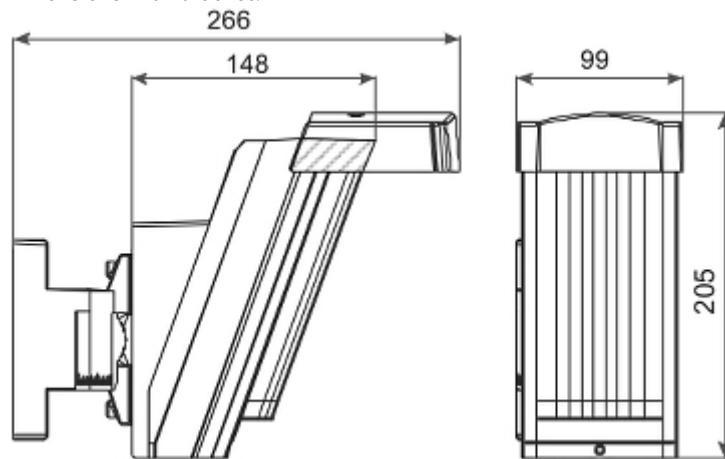


DELTA-OPTI Monika Matysiak; <https://www.delta.poznan.pl>  
POL; 60-713 Poznań; Graniczna 10  
e-mail: delta-opti@delta.poznan.pl; tel: +(48) 61 864 69 60

The detector with bracket can be adjusted in following ranges:



Dimensions with bracket:



In the kit:

