

Code: ARM310-W2(868)

## WIRELESS INPUT EXPANDER **ARM310-W2(868)** DAHUA

Net: **47.47 EUR** Gross: **47.47 EUR**



The ARM310-W2(868) Wireless Expander enables the connection of wired detectors, e.g. PIR, to the DAHUA alarm system. The type of alarms and zone parameters can be easily set by installers via the app.

The expander can cooperate with alarm devices operating in both the NO and NC modes.

### SPECIFICATION

Application:	Wireless alarm systems DAHUA
Alarm inputs:	1
Alarm outputs:	—
Power output:	—
Serial port:	—
Wireless:	<ul style="list-style-type: none"><li>• 868 MHz - Bidirectional communication</li><li>• Range : 1200 m (in open area)</li></ul>
Place for battery:	—
Main features:	<ul style="list-style-type: none"><li>• LED indication</li><li>• Low battery level alarm</li><li>• Tamper protection (detection of removing from mounting surface and enclosure opening)</li></ul>
Emergency Power Supply:	—
Power supply:	1 x Battery type : CR123A 3 V (included)
Current consumption:	max. 45 mA
Backup time:	max. 5 years - with NO detector , max. 2 years - with NC detector
Operation temp:	-10 °C ... 55 °C
Permissible relative humidity:	10 % ... 90 %
Weight:	0.04 kg

DELTA-OPTI Monika Matysiak; <https://www.delta.poznan.pl>  
POL; 60-713 Poznań; Graniczna 10  
e-mail: [delta-opti@delta.poznan.pl](mailto:delta-opti@delta.poznan.pl); tel: +(48) 61 864 69 60

Dimensions:	100 x 21 x 20 mm
Manufacturer / Brand:	DAHUA
Guarantee:	2 years

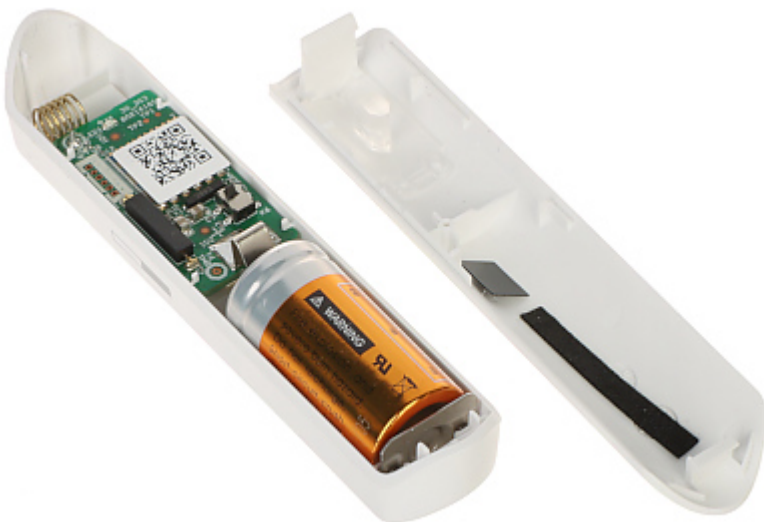
## PRESENTATION



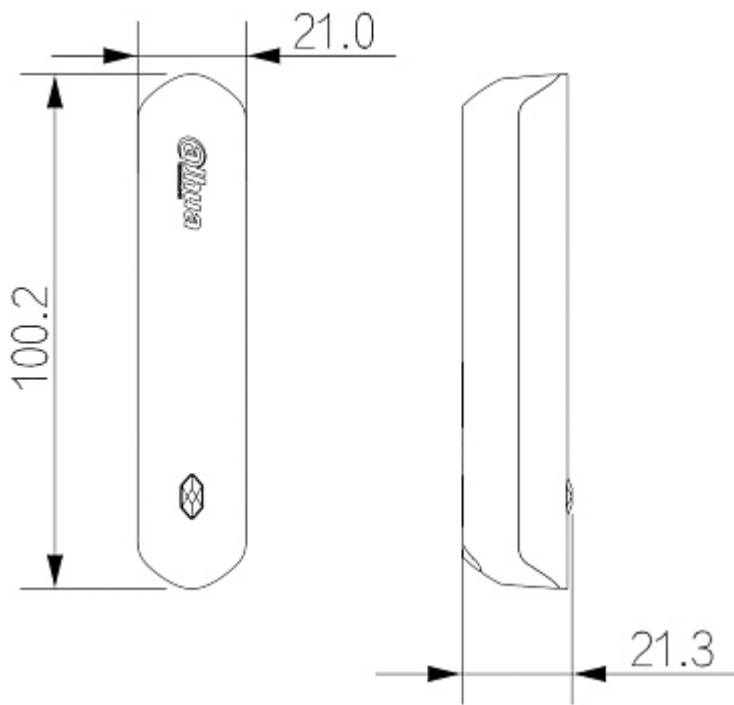
Rear view:



Internal view of the housing:



Dimensions:



In the kit:



## PACKAGE

Dimensions (L x W x H): 0x0x0 mm	Gross Weight: 0 kg
----------------------------------	--------------------

