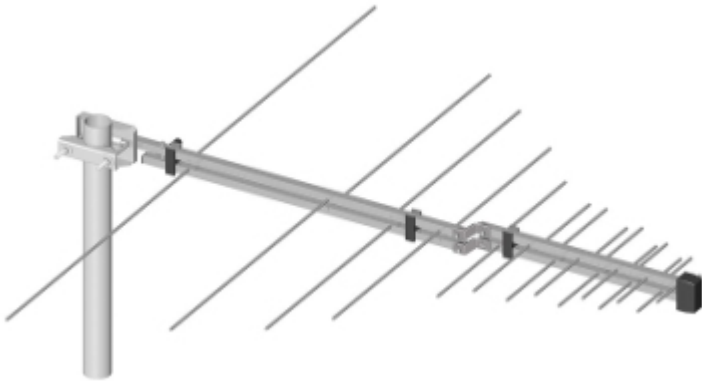


LOGARITHMIC-PERIODIC ANTENNA ATK-LOG/5-12/21-60 DIPOLNet: **16.26 EUR** Gross: **20.00 EUR**

The ATK-LOG/5-12/21-60 directional antenna is designed to receive DVB-T digital terrestrial television.

Some antenna parts are made from aluminum, steel construction elements are galvanized. The antenna does not require a symmetrical balun, because it has output impedance matched to 75 Ω .

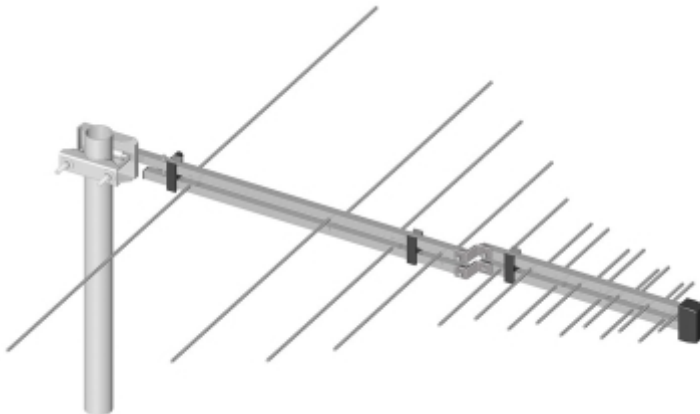
The ATK-LOG/5-12/21-60 logarithmic-periodic antenna is modern broadband, dual polarization antenna. The antenna is mostly used in urban areas, it can be applied for receiving DVB-T signals broadcast in full range frequencies of VHF and UHF bands, in the case of any combinations of the polarization: horizontal, vertical or mixed.

**SPECIFICATION**

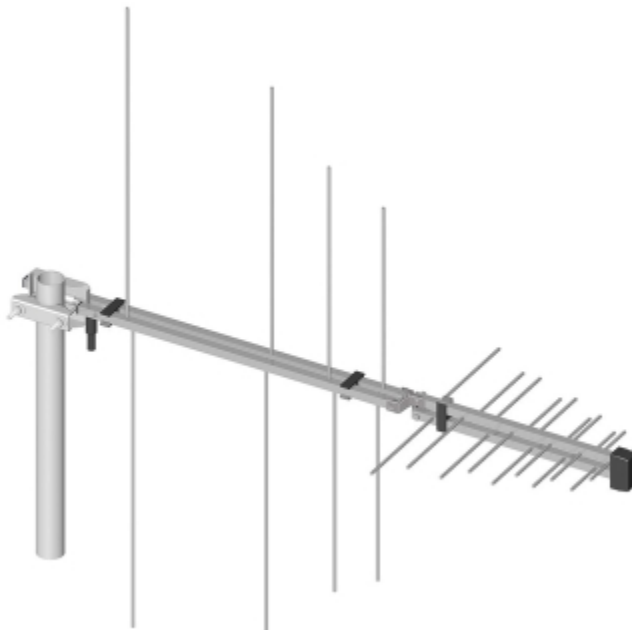
Receiving channels:	<ul style="list-style-type: none"> • 5 ... 12, • 21 ... 60
Gain :	<ul style="list-style-type: none"> • 8 dBi - VHF, • 9 dBi - UHF
Polarization:	Horizontal / Vertical
Impedance:	75 Ω
Main features:	<ul style="list-style-type: none"> • The antenna does not require a symmetrical balun, because it has output impedance matched to 75 Ω • Output - F socket
Weight:	0.6 kg
Dimensions:	725 x 913 x 40 mm
Manufacturer / Brand:	DIPOL
Guarantee:	2 years

PRESENTATION

View of the antenna with both segments mounted for receiving the signals in horizontal polarization:



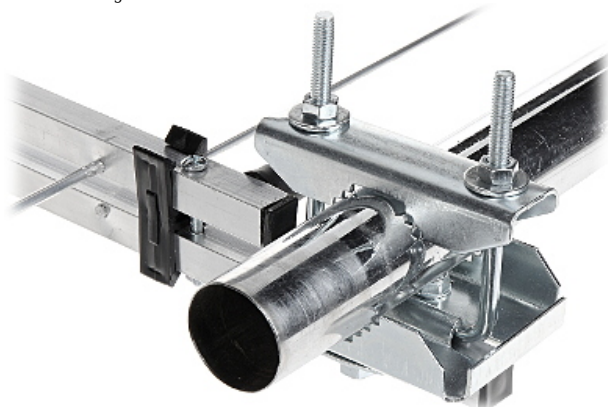
View of the antenna with VHF segment mounted for receiving the signals in vertical polarization:



Antenna connector:

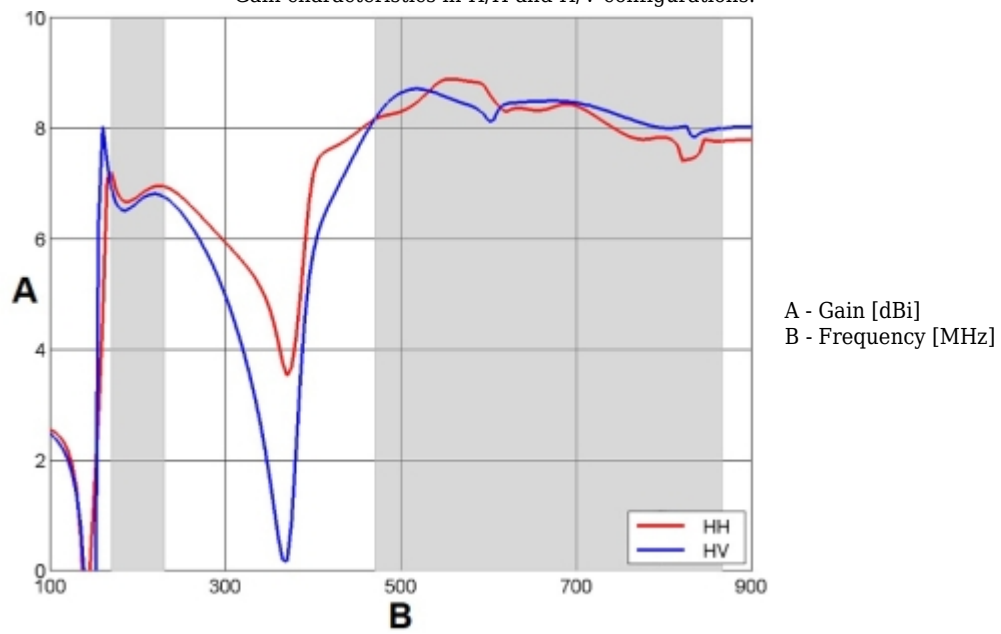


Mast mounting diameter:





Gain characteristics in H/H and H/V configurations:



In the kit:

