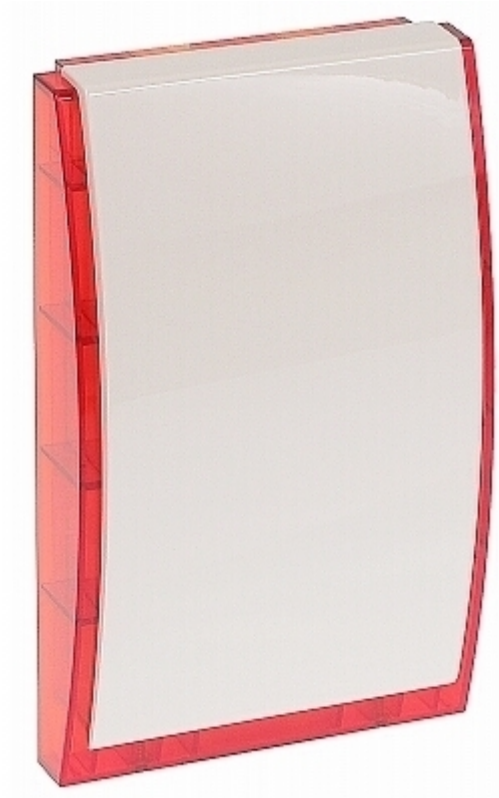


Code: SP-4004-R

OUTDOOR SIREN **SP-4004-R** SATEL

Net: **34.07 EUR** Gross: **41.91 EUR**

Outdoor siren with optical and acoustical signaling intended for use in intruder alarm systems. Optical signaling source are LEDs, and acoustical signaling is generating by piezo transducer.
High-impact polycarbonate enclosure, featuring a very high mechanical strength and guarantees aesthetic appearance of siren even after many years of using. Construction enables high level of tamper protection (against opening and removing from mounting surface).



SPECIFICATION

| | |
|---------------------------------|----------------------------------|
| Sound pressure level: | 120 dB |
| Current consumption: | max. 600 mA |
| Protection class (Grade): | 2 |
| Environmental class EN 50130-5: | IV |
| Operation temp: | -25 °C ... 70 °C |
| Weight: | 0.87 kg |
| Dimensions: | 148 |
| Power supply: | 12 V DC |
| Dimensions: | x 254 |
| Power supply: | ± 15% |
| Dimensions: | x 64 mm |
| Power supply: | (powering from external adapter) |
| Manufacturer / Brand: | SATEL |
| Guarantee: | 2 years |

PRESENTATION

DELTA-OPTI Monika Matysiak; <https://www.delta.poznan.pl>
POL; 60-713 Poznań; Graniczna 10
e-mail: delta-opti@delta.poznan.pl; tel: +(48) 61 864 69 60

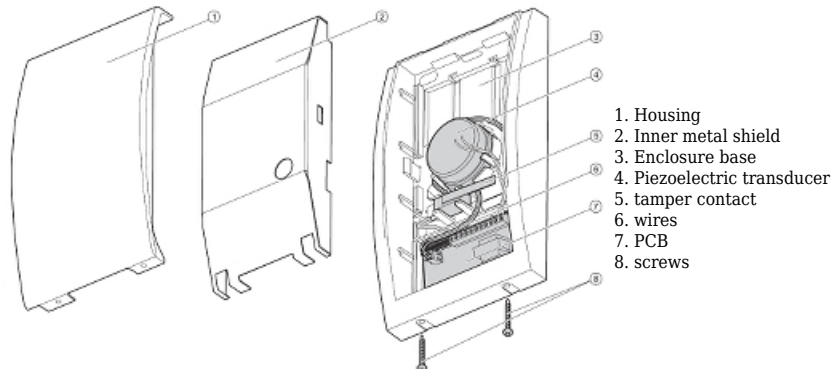
Internal view:



Mounting side view:



Description of particular elements of the device:



1. Housing
2. Inner metal shield
3. Enclosure base
4. Piezoelectric transducer
5. tamper contact
6. wires
7. PCB
8. screws

In the kit:

