

Code: SP-4001-BL

OUTDOOR SIREN **SP-4001-BL** SATEL

Net: **30.39 EUR** Gross: **30.39 EUR**



Outdoor siren with optical and acoustical signaling intended for use in intruder alarm systems. Optical signaling source are LEDs, and acoustical signaling is generating by piezo transducer. High-impact polycarbonate enclosure, featuring a very high mechanical strength and guarantees aesthetic appearance of siren even after many years of using. Construction enables high level of tamper protection (against opening and removing from mounting surface).

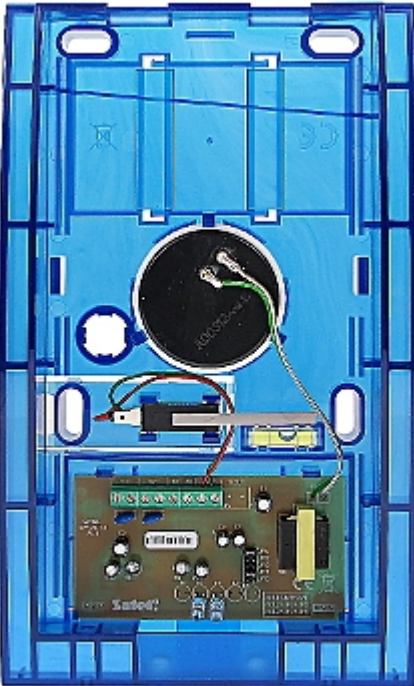
SPECIFICATION

Sound pressure level:	120 dB
Main features:	Tamper protection (detection of removing from mounting surface and enclosure opening)
Maximal current consumption:	270 mA
Internal backup battery:	—
Color:	Blue
Operation temp:	-35 °C ... 55 °C
Weight:	0.92 kg
Power supply:	12 V DC \pm 15% (powering from external adapter)
Dimensions:	148 x 254 x 64 mm
Manufacturer / Brand:	SATEL
Guarantee:	2 years

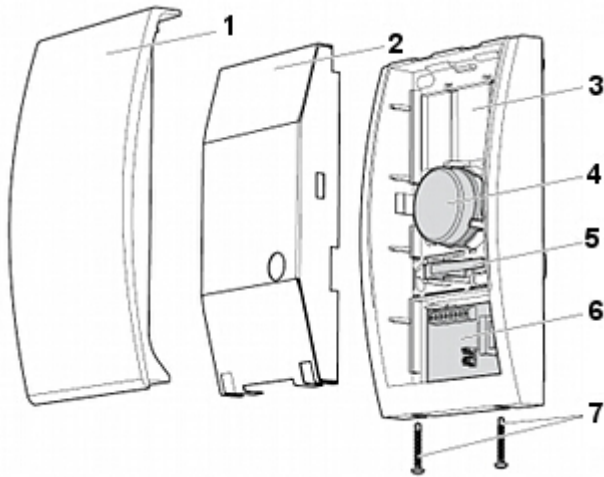
PRESENTATION

Internal view:

DELTA-OPTI Monika Matysiak; <https://www.delta.poznan.pl>
POL; 60-713 Poznań; Graniczna 10
e-mail: delta-opti@delta.poznan.pl; tel: +(48) 61 864 69 60



Description of particular elements of the device:



1. Housing
2. Inner metal shield
3. Enclosure base
4. Piezoelectric transducer
5. tamper contact
6. PCB
7. screws

Mounting side view:



In the kit:



PACKAGE

Dimensions (L x W x H): 0x0x0 mm	Gross Weight: 0 kg
----------------------------------	--------------------