

Code: JA-111A-BASE

OUTDOOR SIREN **JA-111A-BASE** JABLOTRON

Price visible after login

Outdoor siren with optical and acoustical signaling intended for use in intruder alarm systems. Construction enables high level of tamper protection (against opening and removing from mounting surface). The JA-111A-BASE is addressable device and takes one input on the Bus in the alarm system.

NOTE! To the siren you should purchase the outer cover in the selected color.



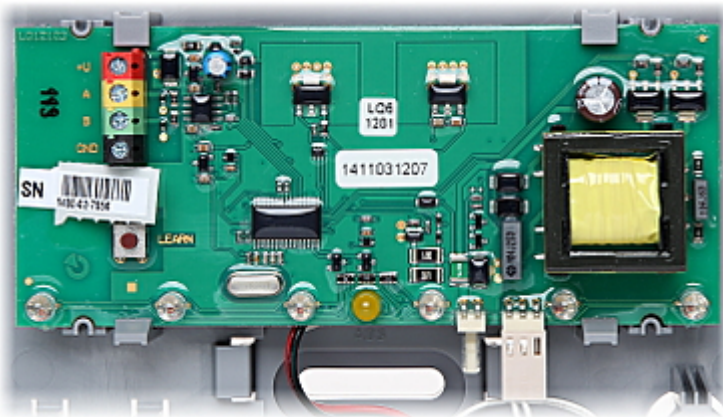
SPECIFICATION

Support:	JABLOTRON 100
Sound pressure level:	110 dB
Power supply:	9 V ... 15 V DC Control panel BUS
Current consumption:	5 mA - Standby, max. 50 mA
Internal backup battery:	4.8 V / 1.8 Ah (included)
Main features:	<ul style="list-style-type: none">• Tamper protection (detection of removing from mounting surface and enclosure opening)• Battery lifetime ~ 3 years
Complies with norms:	EN 50131-1, EN 50131-4, EN 55022, EN 60950-1
Operation temp:	-25 °C ... 60 °C
Weight:	0.62 kg
Dimensions:	193 x 293 x 49 mm
Manufacturer / Brand:	JABLOTRON
Guarantee:	2 years

PRESENTATION

Internal view:

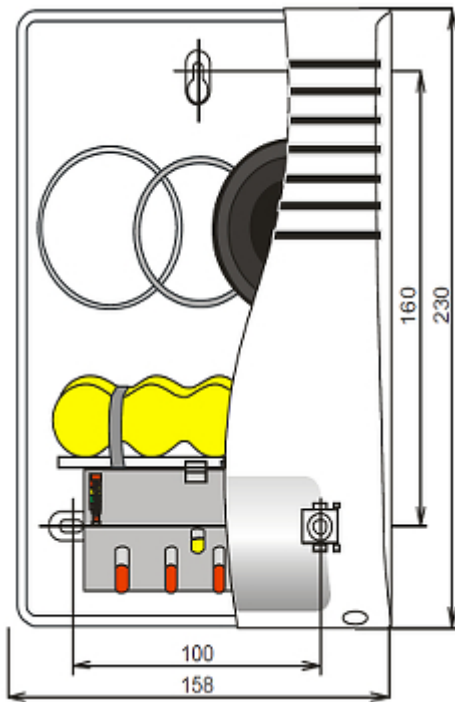
DELTA-OPTI Monika Matysiak; <https://www.delta.poznan.pl>
POL; 60-713 Poznań; Graniczna 10
e-mail: delta-opti@delta.poznan.pl; tel: +(48) 61 864 69 60



Mounting side view:



Dimensions:



In the kit:

