

Code: SP-4002-O

## OUTDOOR SIREN **SP-4002-O** SATEL

Net: 39.25 EUR Gross: 48.28 EUR

Outdoor siren with optical and acoustical signaling intended for use in intruder alarm systems. Optical signaling source are LEDs, and acoustical signaling is generating by piezo transducer. Device is equipped with internal sealed lead acid backup battery with a capacity of 1.2Ah. High-impact polycarbonate enclosure, featuring a very high mechanical strength and guarantees aesthetic appearance of siren even after many years of using. Construction enables high level of tamper protection (against opening and removing from mounting surface).



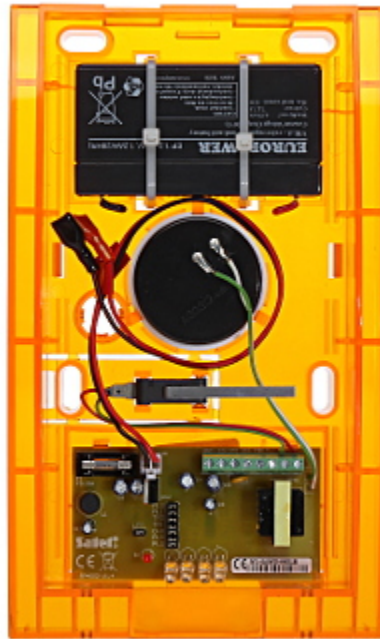
### SPECIFICATION

Current consumption:	max. 260 mA
Sound pressure level:	120 dB
Color:	Orange
Operation temp:	-35 °C ... 55 °C
Weight:	1.2 kg
Dimensions:	148 x 254
Power supply:	12 V DC
Dimensions:	x 64 mm
Power supply:	± 15% (powering from external adapter)
Manufacturer / Brand:	SATEL
Guarantee:	2 years

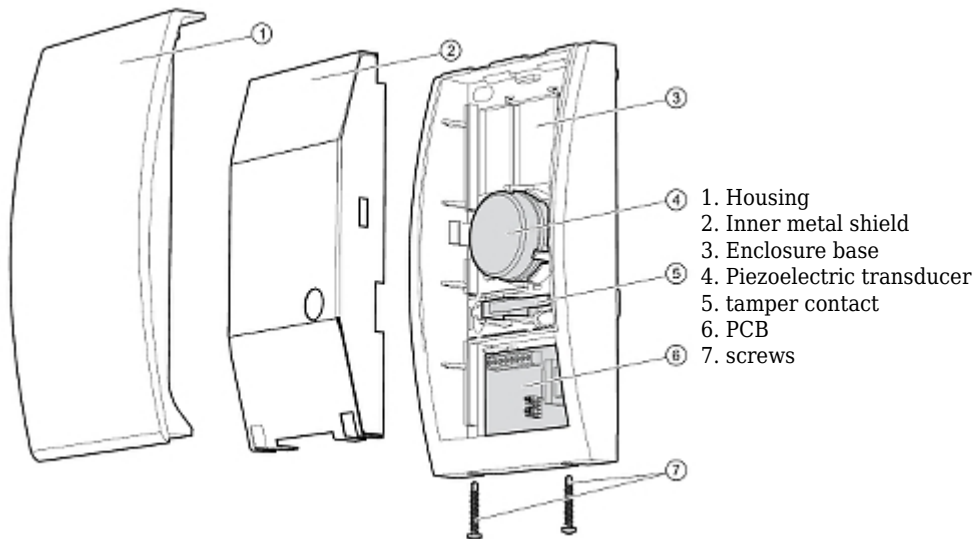
### PRESENTATION

DELTA-OPTI Monika Matysiak; <https://www.delta.poznan.pl>  
POL; 60-713 Poznań; Graniczna 10  
e-mail: delta-opti@delta.poznan.pl; tel: +(48) 61 864 69 60

Internal view:



Description of particular elements of the device:



Mounting side view:



In the kit:

