

Code: AI-9/PS

POWER SUPPLY ADAPTER **AI-9/PS** FOR AI-9 FIBER FUSION SPLICER

Net: **28.69 EUR** Gross: **35.29 EUR**



SPECIFICATION

Model identifier:	AI-9/PS
Input voltage:	100 - 240 V AC
AC input frequency:	50 / 60 Hz
Output voltage:	13.5 V DC
Output current:	4.8 A
Output power:	65 W
Adapter type:	Switching
Protections:	Overload
Output voltage adjustment:	—
Number of outputs:	1 pcs
Power connectors type:	<ul style="list-style-type: none">• 230 V IEC C14• 13.5 V - 2.1/5.5 mm Straight plug
Housing type:	Desktop
Weight:	0.21 kg
Dimensions:	120 x 55 x 38 mm
Guarantee:	2 years

PRESENTATION

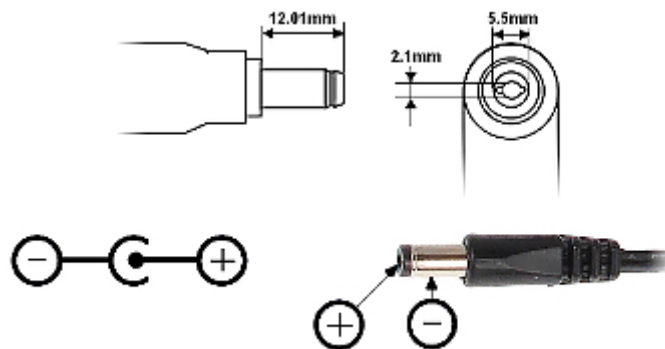
DELTA-OPTI Monika Matysiak; <https://www.delta.poznan.pl>
POL; 60-713 Poznań; Graniczna 10
e-mail: delta-opti@delta.poznan.pl; tel: +(48) 61 864 69 60



connector:



2.1/5.5mm plug polarization:





DELTA-OPTI Monika Matysiak; <https://www.delta.poznan.pl>
POL; 60-713 Poznań; Graniczna 10
e-mail: delta-opti@delta.poznan.pl; tel: +(48) 61 864 69 60