

Code: PSC-12015/PRO

POWER SUPPLY ADAPTER **PSC-12015/PRO** 12 V DC 1.5 A

Net: **7.81 EUR** Gross: **9.61 EUR**

Power adapter is designed for installation inside surface and flush installation boxes.
Please pay attention for proper cooling conditions of the power adaptor during work!



SPECIFICATION

Adapter type:	Switching
Output voltage:	12 V DC
Maximal load:	1.5 A
Average active efficiency:	80.4 %
Output power:	18 W
Power consumption at no-load:	< 0.1 W
Number of outputs:	1 pcs
Power connectors type:	2.1/5.5 mm - Straight plug
Power voltage:	100 ... 240 V AC
Housing type:	Plastic
"Index of Protection":	IP67
Main features:	<ul style="list-style-type: none">• Short-circuit protection• Overload protection• The device has very small dimensions• Length of the cables : 40 + 15 cm
Operation temp:	0 °C ... 40 °C
Weight:	0.16 kg
Dimensions:	65 x 48 x 28 mm
Guarantee:	2 years

PRESENTATION

Top view:

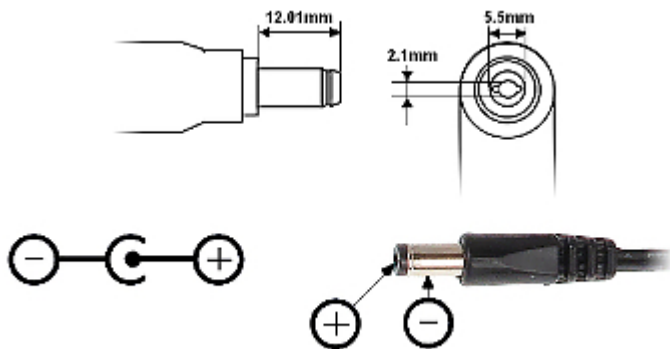
DELTA-OPTI Monika Matysiak; <https://www.delta.poznan.pl>
POL; 60-713 Poznań; Graniczna 10
e-mail: delta-opti@delta.poznan.pl; tel: +(48) 61 864 69 60



Bottom view:



2.1/5.5mm plug polarization:



PACKAGE

Dimensions (L x W x H): 0x0x0 mm	Gross Weight: 0 kg
----------------------------------	--------------------

