

Code: 12V/2A/PROTEC

POWER SUPPLY ADAPTER 12V/2A/PROTEC

Net: 7.25 EUR Gross: 8.92 EUR

The Protec company switching adapter with splash-proof, aesthetic casing. It is designed to outdoor mount on the wall (for IP53 norm is recommended installing the device under a roof). The video and power connectors are placed without any problem inside adapter's casing. The adaptor should be correctly installed in vertical position with connectors down.

Attention! If the power adaptor is using for continuous work (24H) the rated current of the adaptor should be less than 80% of the maximal current.

Please pay attention for proper cooling conditions of the power adaptor during work!



SPECIFICATION

Adapter type:	Switching
Power voltage:	230 V AC
Output voltage:	12 V DC
Maximal load:	2 A
Output power:	24 W
Number of outputs:	1 pcs
Power connectors type:	2.1/5.5 mm Straight plug
Housing type:	Plastic
"Index of Protection":	IP53
Main features:	Splash-proof casing
Operation temp:	-30 °C ... 40 °C
Weight:	0.17 kg
Guarantee:	2 years

PRESENTATION

Power adaptor with closed cover:



DELTA-OPTI Monika Matysiak; <https://www.delta.poznan.pl>
POL; 60-713 Poznań; Graniczna 10
e-mail: delta-opti@delta.poznan.pl; tel: +(48) 61 864 69 60



Internal view, after remove the cover:



Rear view:



The camera powering is connected very easy and aesthetic:

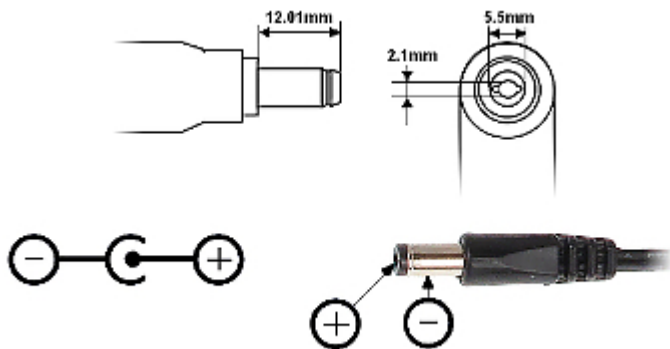




Adapter package:



2.1/5.5mm plug polarization:



OUR TESTS

To open the cover pull the cover edge in place shown at the picture:



OUR OPINIONS



- Quite comfortable AC 230V cable connection.



- Due to limited diameter of the cable entry, must use the cables with small diameters.

PACKAGE

Dimensions (L x W x H): 0x0x0 mm	Gross Weight: 0 kg
----------------------------------	--------------------