

Code: 12V/1.5A/PROTEC

POWER SUPPLY ADAPTER 12V/1.5A/PROTEC

Net: 16.80 PLN Gross: 20.66 PLN

The Protec company switching adapter with splash-proof, aesthetic casing. It is designed to outdoor mount on the wall (for IP53 norm is recommended installing the device under a roof). The video and power connectors are placed without any problem inside adapter's casing. The adaptor should be correctly installed in vertical position with connectors down.

Attention! If the power adaptor is using for continuous work (24H) the rated current of the adaptor should be less than 80% of the maximal current.

Please pay attention for proper cooling conditions of the power adaptor during work!

The Power Supply Unit complies with the ecodesign requirements (ErP 2009/125/EC Directive and its implementing Regulation No. 278/2009 regarding external power supplies). The device meets, among others, the requirements of the average active efficiency and power consumption at no-load condition.



SPECIFICATION

Adapter type:	Switching
Power voltage:	230 V AC
Output voltage:	12 V DC
Maximal load:	1.5 A
Output power:	15 W
Average active efficiency:	79.4 %
Power consumption at no-load:	< 0.1 W
Protections:	<ul style="list-style-type: none">• Overload• Short-circuit
Number of outputs:	1 pcs
Power connectors type:	2.1/5.5 mm - Straight plug
Housing type:	Plastic
"Index of Protection":	IP53
Main features:	Splash-proof casing
Operation temp:	-30 °C ... 40 °C
Weight:	0.17 kg
Dimensions:	130 x 80 x 38 mm
Guarantee:	2 years

PRESENTATION

DELTA-OPTI Monika Matysiak; <https://www.delta.poznan.pl>
POL; 60-713 Poznań; Graniczna 10
e-mail: delta-opti@delta.poznan.pl; tel: +(48) 61 864 69 60

Power adaptor with closed cover:



Internal view, after remove the cover:



Rear view:



The camera powering is connected very easy and aesthetic:

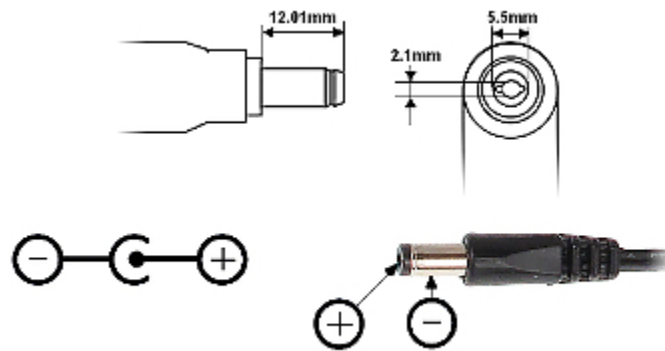




Adapter package:



2.1/5.5mm plug polarization:



OUR TESTS

To open the cover pull the cover edge in place shown at the picture:



OUR OPINIONS



- Quite comfortable AC 230V cable connection.



- Due to limited diameter of the cable entry, must use the cables with small diameters.