

Code: PSC-12015

## POWER SUPPLY ADAPTER **PSC-12015**

Net: **8.76 USD** Gross: **10.77 USD**

Power adapter is designed for installation inside surface and flush installation boxes.  
Please pay attention for proper cooling conditions of the power adaptor during work!



### SPECIFICATION

Adapter type:	Switching
Power voltage:	100 ... 240 V AC
Output voltage:	12 V DC
Maximal load:	1.5 A
Output power:	18 W
Number of outputs:	1 pcs
Power connectors type:	2.1/5.5 mm Straight plug
Housing type:	Plastic
"Index of Protection":	IP67
Main features:	<ul style="list-style-type: none"><li>• Short-circuit protection</li><li>• Overload protection</li><li>• The device has very small dimensions</li></ul>
Operation temp:	0 °C ... 40 °C
Weight:	0.16 kg
Dimensions:	58 x 58 x 28 mm
Manufacturer / Brand:	PULSAR
Guarantee:	2 years

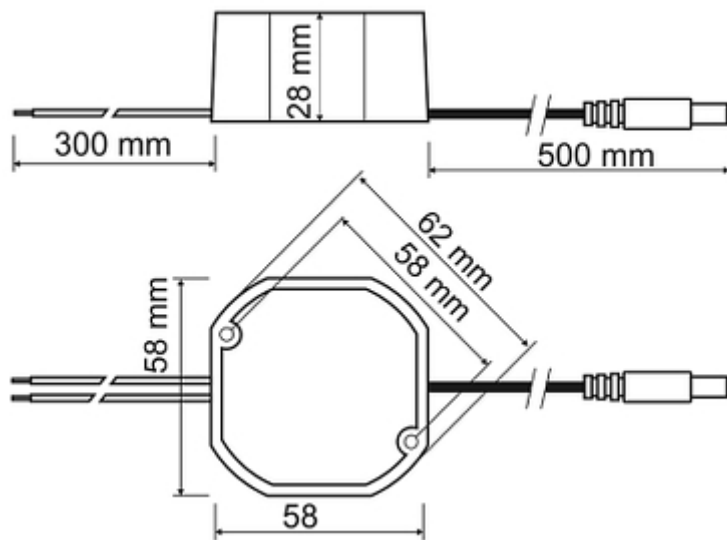
### PRESENTATION

DELTA-OPTI Monika Matysiak; <https://www.delta.poznan.pl>  
POL; 60-713 Poznań; Graniczna 10  
e-mail: [delta-opti@delta.poznan.pl](mailto:delta-opti@delta.poznan.pl); tel: +(48) 61 864 69 60

Top view:



Dimensions:



2.1/5.5mm plug polarization:

