

Code: POE-UNI/2C

ADAPTER TO POWER SUPPLY VIA TWISTED-PAIR CABLE POE-UNI/2C

Net: 9.10 PLN Gross: 11.19 PLN

Passive Power over Ethernet (PoE) adapter allows to power LAN devices through typical 4-pair twisted-pair cable (eg UTP).

This solution enables Access Point powering, which is placed in hermetic box just by the antenna (to lower the loss in the RF cable), via twisted-pair cable from power source located inside a building.

The devices without the possibility to powering through the Ethernet port, should be connected as was shown at diagram No. 2.



SPECIFICATION

Output power:	max. 24 W
Number of inputs:	1 pcs RJ-45
Input voltage:	max. 48 V DC
Output voltage:	max. 48 V DC
LED indicators:	plug the power source to thr PoE adapter
Main features:	Pin numbers for RJ-45 connector • 1/2, 3/6 Wires to data transmission • 4/5, 7/8 Wires to power voltage transmission
Protections:	—
Housing:	Plastic
Operation temp. / Relative humidity:	-40 °C ... 70 °C / 10 % ... 80 %
Weight:	0.02 kg
Dimensions:	59 x 28 x 21 mm
Guarantee:	2 years

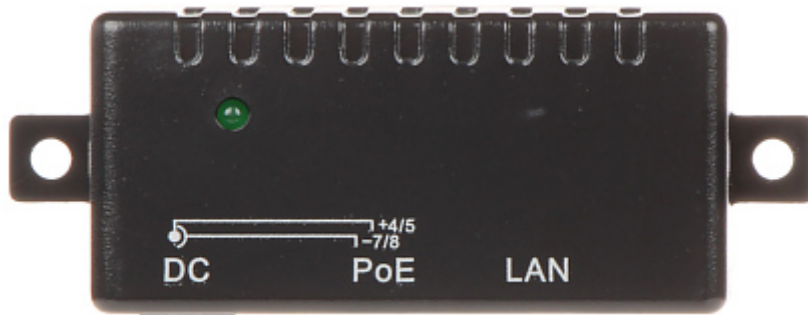
PRESENTATION

DELTA-OPTI Monika Matysiak; <https://www.delta.poznan.pl>
POL; 60-713 Poznań; Graniczna 10
e-mail: delta-opti@delta.poznan.pl; tel: +(48) 61 864 69 60

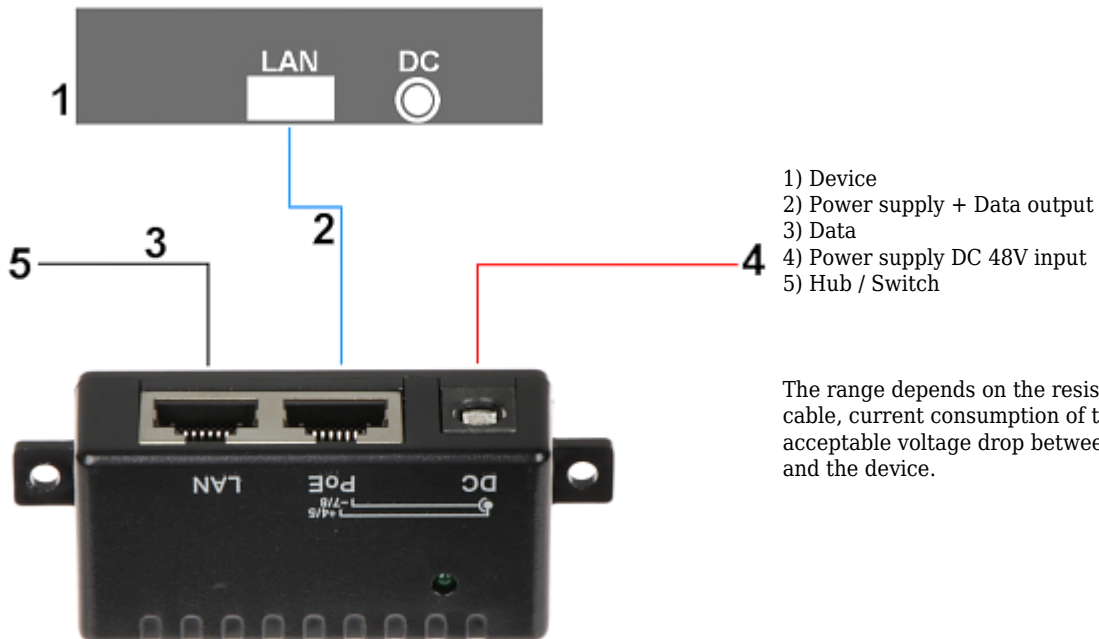
Device connectors:

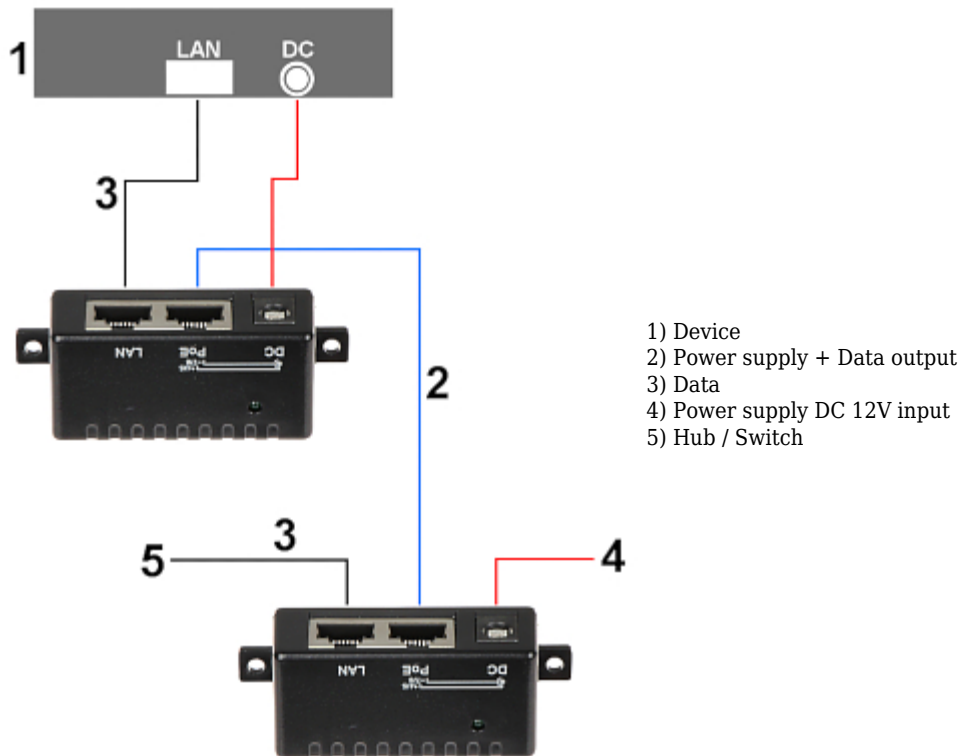


Top view:



Connection diagrams for device with support and without support the PoE 802.3af standard:





- 1) Device
- 2) Power supply + Data output
- 3) Data
- 4) Power supply DC 12V input
- 5) Hub / Switch