

Code: LZ-1/FDC

POWER SUPPLY DISTRIBUTOR WITH FILTER LZ-1/FDC

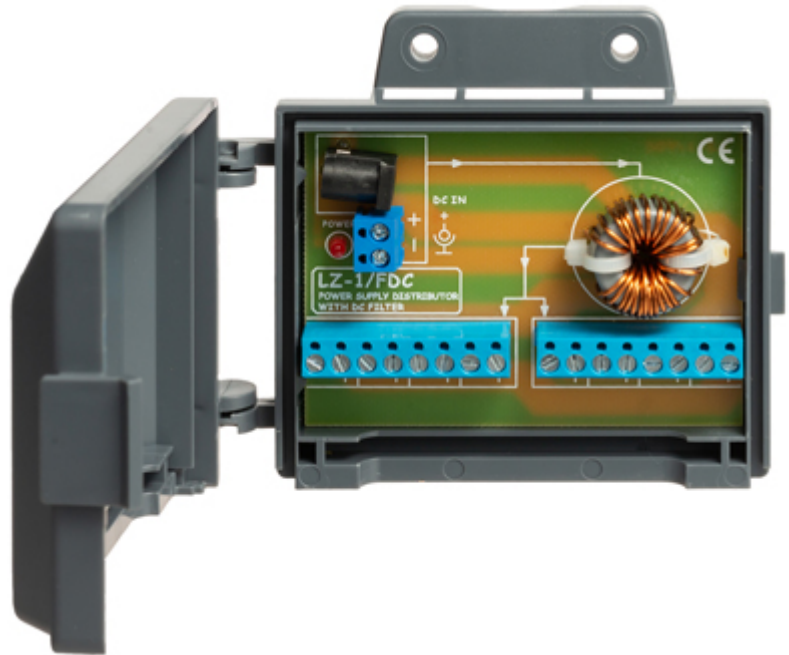
Net: 9.18 EUR Gross: 9.18 EUR

The LZ-1/FDC is a passive device and allows to distribute the power supply. Additionally it is equipped with filter, which eliminates interferences from switching adaptors.

The housing of the LZ-1/FDC has been prepared for mounting with screws to a wall or with a tie to a mast (tie, screws - not included).

For more devices than 8, the devices can be connected in parallel on the same terminal.

Due to built-in filter, the maximal current using to power the devices must be below 6A.



SPECIFICATION

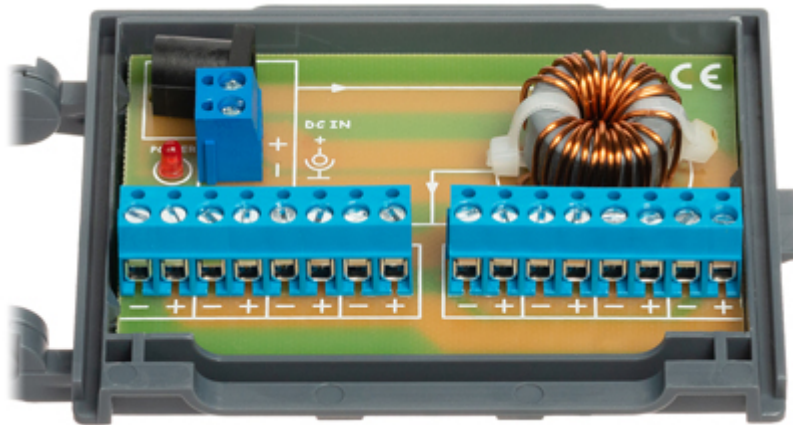
Number of power inputs:	2
Number of power outputs:	8
Maximal power voltage:	0 ... 24 V DC (typical 12V)
Maximal power supply current:	<ul style="list-style-type: none">• 6 A terminals• 4 A 5.5/2.1 socket
Max. output current for single output:	6 A
Protection type:	—
Power connectors type:	Input : socket 2.1/5.5 mm / cable terminal Output : Cable terminals
Operation temp:	-50 °C ... 55 °C
Permissible relative humidity:	< 95 %
Filter built-in:	✓ DC filter to eliminate interferences
Dimensions:	116 x 90 x 36 mm
Weight:	0.086 kg
Manufacturer / Brand:	DELTA
Guarantee:	3 years

PRESENTATION

DELTA-OPTI Monika Matysiak; <https://www.delta.poznan.pl>
POL; 60-713 Poznań; Graniczna 10
e-mail: delta-opti@delta.poznan.pl; tel: +(48) 61 864 69 60



Connectors:



PACKAGE

Dimensions (L x W x H): 0x0x0 mm	Gross Weight: 0 kg
----------------------------------	--------------------