

Code: DH-IPC-HDW2231RP-ZS

IP CAMERA **DH-IPC-HDW2231RP-ZS** - 1080p, 2.7 ... 13.5 mm - **MOTOZOOM DAHUA**

Net: **197.44 EUR** Gross: **242.85 EUR**

IP camera with efficient H.264 / H.265 image compression algorithm for clear and smooth video streaming at maximal resolution of 1080p. The used motozoom lens with 2.7 ... 13.5 mm focal length allows to remote view angle adjustment.

The range of IR illumination according to the manufacturer data, depends on outer conditions (visibility - air transparency, environment, wall colors ie. scene reflectance).

PoE powering possibility, compatible with the 802.3af standard makes the device more universal and easier to install. Camera is according to IP67 Index of Protection norm.

Thanks to the "Starlight" technology used, the camera only needs very low lighting to obtain a clear color image.



SPECIFICATION

Standard:	TCP/IP
Sensor:	1/2.8 " STARVIS™ CMOS
Matrix size:	2.1 Mpx
Scanning system:	Progressive
Resolution:	1920 x 1080 - 1080p , 1280 x 1024 - 1.4 Mpx 1280 x 960 - 1.3 Mpx 1280 x 720 - 720p
Lens:	2.7 ... 13.5 mm - Motozoom
View angle:	• 109 ° ... 29 ° (manufacturer data) • 104 ° ... 29 ° (our tests result)
Range of IR illumination:	50 m
S/N ratio:	> 45 dB
RS-485 interface:	—
Memory card slot:	Micro SD memory cards up to 128GB support (possible local recording)
Image compression method:	H.265 / H.264 / MJPEG
Alarm inputs / outputs:	—
Audio:	—
Bitrate:	12 ... 6400 kbps - H.265 32 ... 10240 kbps - H.264
Main stream frame rate:	25 fps @ 1920 x 1080

DELTA-OPTI Monika Matysiak; <https://www.delta.poznan.pl>
POL; 60-713 Poznań; Graniczna 10
e-mail: delta-opti@delta.poznan.pl; tel: +(48) 61 864 69 60

Network interface:	10/100 Base-T (RJ-45)
Network protocols:	HTTP, HTTPS, TCP, ARP, RTSP, RTP, UDP, SMTP, FTP, DHCP, DNS, DDNS, PPPoE, IPv4/IPv6, QoS, UPnP, NTP, Bonjour, IEEE 802.1x, Multicast, ICMP, IGMP
WEB Server:	Built-in, Web Viewer
Max. number of on-line users:	20
Mobile phones support:	Port no.: 37777 or access by a cloud (P2P) <ul style="list-style-type: none"> • Android: Free application DMSS • iOS (iPhone): Free application DMSS
Default admin user / password:	admin / admin
Default IP address:	192.168.1.108
Web browser access ports:	80, 37777
PC client access ports:	37777
Mobile client access ports:	37777
Port ONVIF:	80
RTSP URL:	rtsp://admin:hasło@192.168.1.108:554/cam/realmonitor?channel=1&subtype=0 - Main stream rtsp://admin:hasło@192.168.1.108:554/cam/realmonitor?channel=1&subtype=1 - Sub stream
ONVIF:	16.12
Main features:	<ul style="list-style-type: none"> • Motozoom lens - Controlling from browser, NVR or software • 3D-DNR - Digital Noise Reduction • WDR - 120 dB - Wide Dynamic Range • ICR - Movable InfraRed filter • BLC - configurable Back Light Compensation • HLC - High Light Compensation (spot) • Day/Night mode (color/b&w/auto) • Configurable Privacy Zones
Power supply:	<ul style="list-style-type: none"> • PoE (802.3af), • 12 V DC / 940 mA
Power consumption:	≤ 11.26 W
Housing:	Dome, Metal
Color:	White
Vandal-proof:	—
"Index of Protection":	IP67
Operation temp:	-30 ° ... 60 °
Dimensions:	Ø 122 x 102 mm
Weight:	0.59 kg
Supported languages:	English, Polish
Manufacturer / Brand:	DAHUA
Guarantee:	3 years

PRESENTATION



DELTA-OPTI Monika Matysiak; <https://www.delta.poznan.pl>
POL; 60-713 Poznań; Graniczna 10
e-mail: delta-opti@delta.poznan.pl; tel: +(48) 61 864 69 60

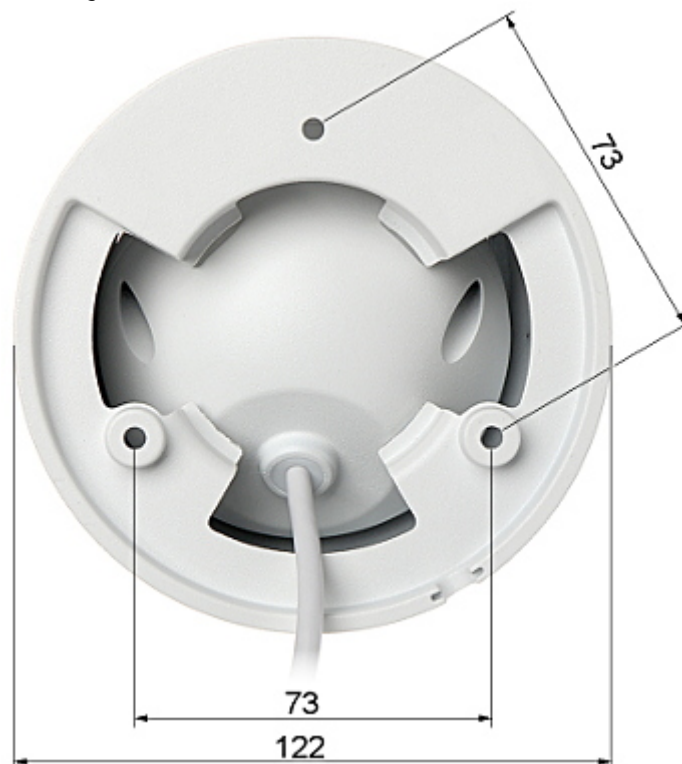
Camera is out from clamping ring:



Memory card slot:



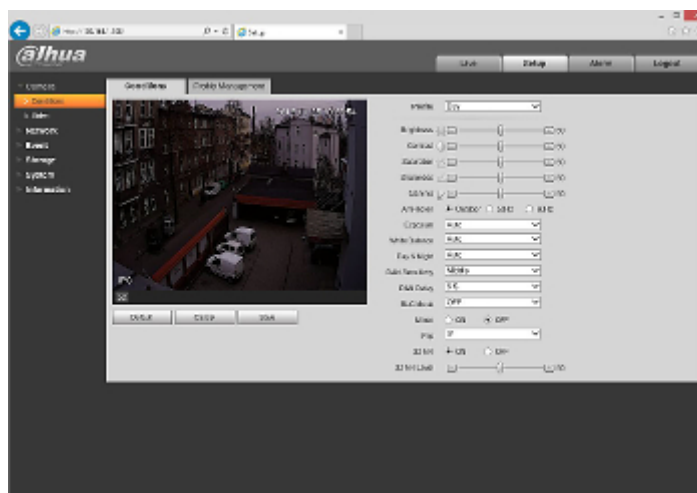
Mounting side view:



In the kit:



Example captures of device interface:



OUR TESTS

Camera image at artificial illumination (about 30Lux):



Camera image at night conditions with internal built-in IR illuminator on:



Camera image at direct strong light opposite to camera:

