

Code: AX-FLEXI-APOLLO

TV OR MONITOR MOUNT **AX-FLEXI-APOLLO**

Net: **11.86 EUR** Gross: **14.59 EUR**

The AX-FLEXI-APOLLO mount has been designed to place a modern LCD monitor on a wall. It allows to easy adjustment of tilt in the range of $\pm 15^\circ$ and to rotate the panel horizontally by the articulated arm with 2 swivels of 180° per each.



SPECIFICATION

Mounting standard:	VESA 50, 75, 100, 200 x 100, 200
Screen size range:	17 " ... 42 "
Bearing capacity:	35 kg
Distance from mounting surface:	89 ... 466 mm
Color:	Black
Tilt adjustment:	-15° ... 15°
Horizontal rotation:	Articulated arm with two swivels in range -90° ... 90° each
Rotation in the plane of the screen:	—
Weight:	1.83 kg
Dimensions:	220 x 300 x (89 ... 466) mm
Guarantee:	2 years

PRESENTATION

Side view:

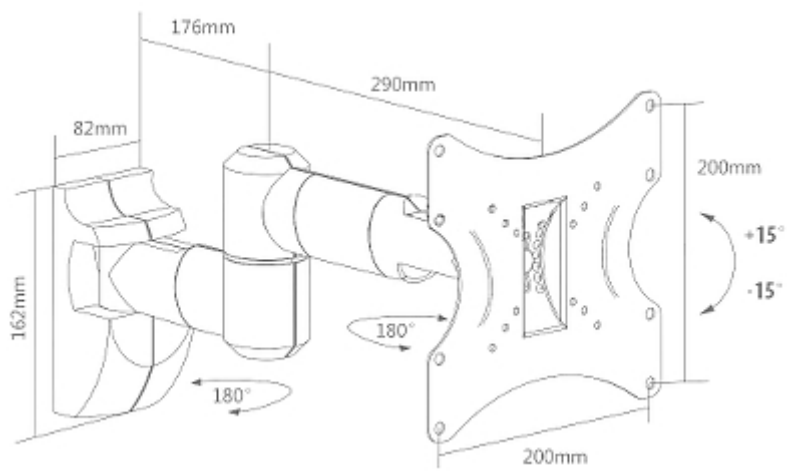


DELTA-OPTI Monika Matysiak; <https://www.delta.poznan.pl>
POL; 60-713 Poznań; Graniczna 10
e-mail: delta-opti@delta.poznan.pl; tel: +(48) 61 864 69 60

Wall mounting side view:



Possibility of mount adjustment:



In the kit:

