

Code: BRATECK-KL22-22F

MONITOR MOUNT **BRATECK-KL22-22F**

Net: 19.20 PLN Gross: 23.62 PLN



The BRATECK-KL22-22F mount has been designed to place a modern LCD monitor on a wall. Maximal load capacity is 35 kg.

SPECIFICATION

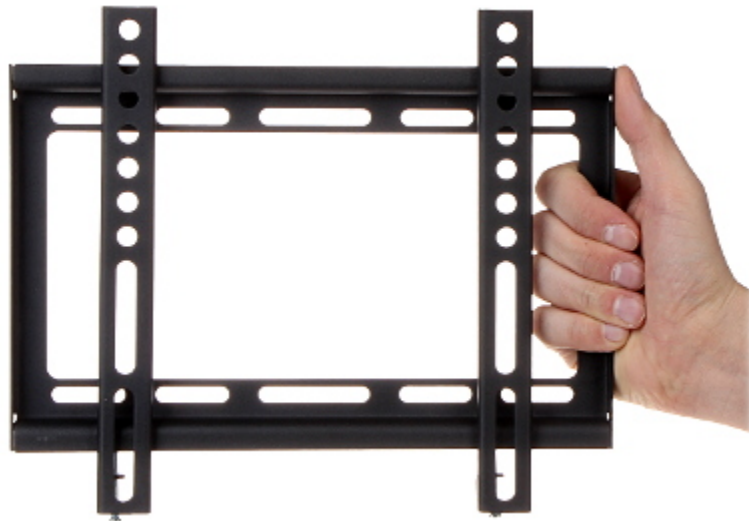
Mounting standard:	VESA : 50, 75, 100, 200 x 100, 200
Screen size range:	23 " ... 42 "
Bearing capacity:	35 kg
Distance from mounting surface:	19.5 mm
Color:	Black
Tilt adjustment:	—
Horizontal rotation:	—
Rotation in the plane of the screen:	—
Weight:	0.422 kg
Dimensions:	265 x 222 x 19.5 mm
Manufacturer / Brand:	BRATECK
Guarantee:	2 years

PRESENTATION



DELTA-OPTI Monika Matysiak; <https://www.delta.poznan.pl>
POL; 60-713 Poznań; Graniczna 10
e-mail: delta-opti@delta.poznan.pl; tel: +(48) 61 864 69 60

Front view:



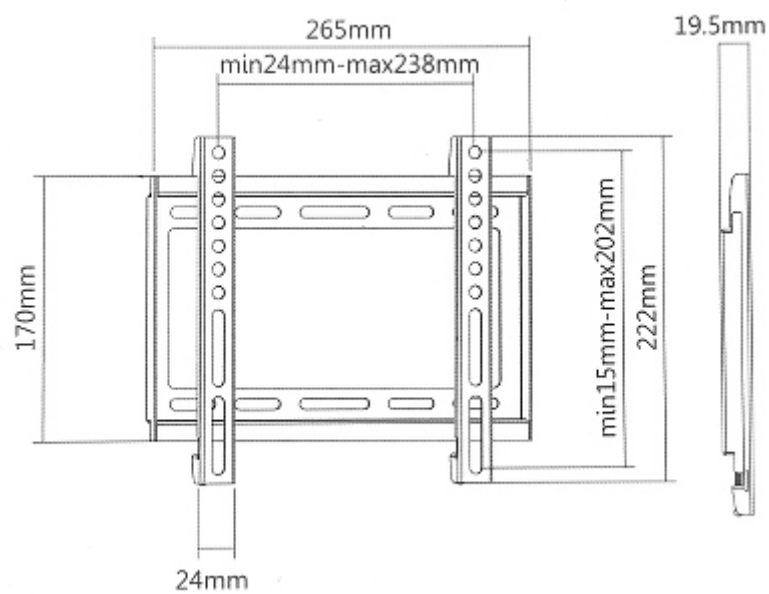
Side view:



Wall mounting side view:



Dimensions:



In the kit:

