

Code: BRATECK-LCD-503AN

## TV OR MONITOR MOUNT **BRATECK-LCD-503AN**

Net: **19.10 EUR** Gross: **23.49 EUR**

The BRATECK-LCD-503AN mount is intended for hanging a TV or LCD / OLED monitor on the wall. It allows to easy adjustment of tilt in the range of  $\pm 15^\circ$  and to rotate the panel horizontally by the articulated arm with 3 swivels of  $180^\circ$  per each.



### SPECIFICATION

|                                      |                              |
|--------------------------------------|------------------------------|
| Mounting standard:                   | VESA 75, 100, 200x100, 200   |
| Screen size range:                   | 23 " ... 43 "                |
| Bearing capacity:                    | 30 kg                        |
| Distance from mounting surface:      | 101 ... 463 mm               |
| Tilt adjustment:                     | -15 ° ... 15 °               |
| Horizontal rotation:                 | -90 ° ... 90 °               |
| Rotation in the plane of the screen: | —                            |
| Color:                               | Black                        |
| Dimensions:                          | 220 x 220 x (101 ... 463) mm |
| Weight:                              | 1.80 kg                      |
| Manufacturer / Brand:                | BRATECK                      |
| Guarantee:                           | 2 years                      |

### PRESENTATION

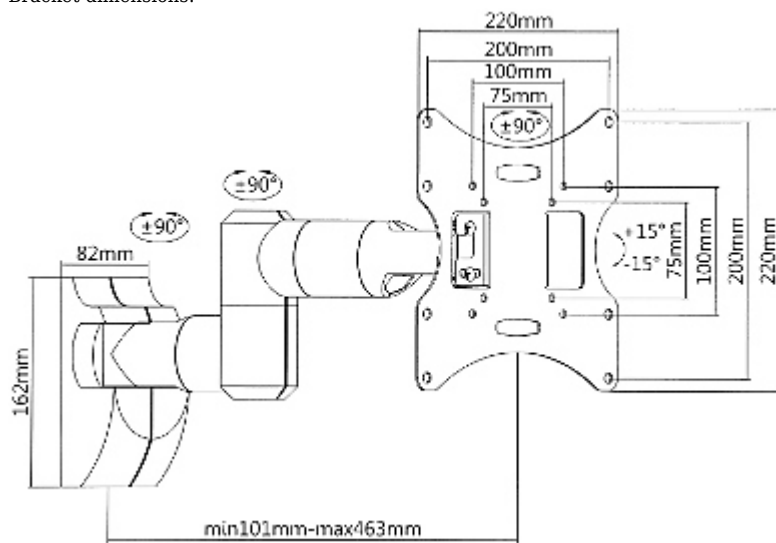
Wall mounting side view:



Side view:



Bracket dimensions:



In the kit:

