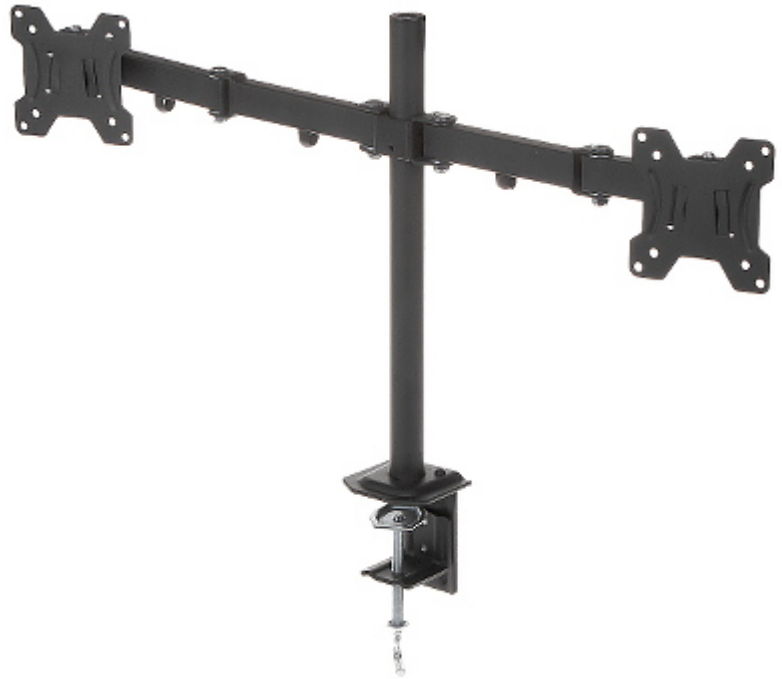


Code: AX-PIXEL-TWIN

MONITORS DESK MOUNT **AX-PIXEL-TWIN** RED EAGLE

Net: **28.83 EUR** Gross: **28.83 EUR**



The AX-PIXEL-TWIN is a mount allowing to install two LCD monitors to the desk or other flat surfaces. The mount enables easy tilt adjustment and horizontal rotation.

SPECIFICATION

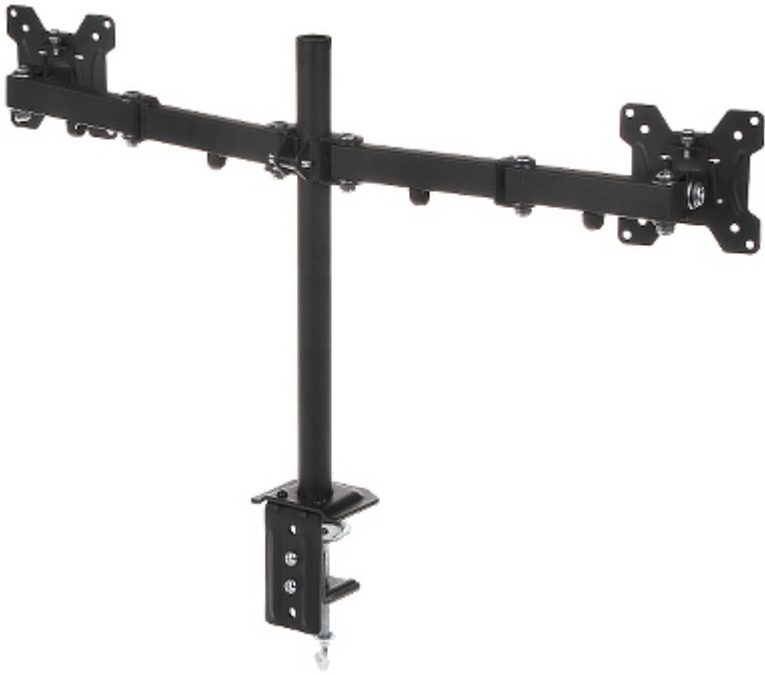
Mounting standard:	VESA 75, 100
Screen size range:	13 " ... 27 "
Bearing capacity:	2 x 8 kg
Tilt adjustment:	-60 ° ... 60 °
Horizontal rotation:	360 °
Rotation in the plane of the screen:	360 °
Color:	Black
Dimensions:	805 x 518 x 100 mm
Weight:	2.99 kg
Manufacturer / Brand:	RED EAGLE
Guarantee:	2 years

PRESENTATION

Rear view:



DELTA-OPTI Monika Matysiak; <https://www.delta.poznan.pl>
POL; 60-713 Poznań; Graniczna 10
e-mail: delta-opti@delta.poznan.pl; tel: +(48) 61 864 69 60

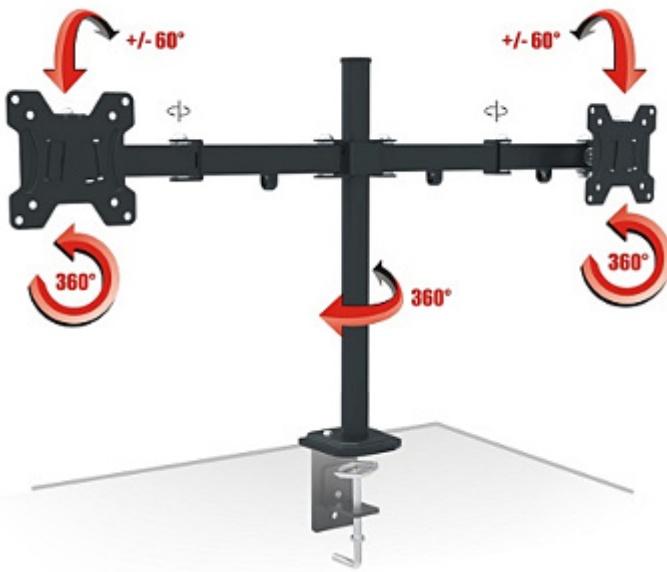


Mount:





Possibility of mount adjustment:



In the kit:



PACKAGE

Dimensions (L x W x H): 0x0x0 mm	Gross Weight: 0 kg
----------------------------------	--------------------

