

Code: AX-ORION

TV OR MONITOR MOUNT **AX-ORION** RED EAGLE

Net: **15.38 EUR** Gross: **18.92 EUR**

The AX-ORION mount is intended for hanging a TV or LCD / OLED monitor on the wall. Maximal load capacity is 40 kg.

The design of the bracket also allows to mount TVs with a curved screen on it.



SPECIFICATION

Mounting standard:	VESA, 200 x 200, 300 x 200, 300 x 300, 400 x 200, 400 x 300, 400 x 400, 600 x 400
Screen size range:	37 " ... 70 "
Bearing capacity:	40 kg
Distance from mounting surface:	33 mm
Color:	Black
Tilt adjustment:	—
Horizontal rotation:	—
Rotation in the plane of the screen:	$\pm 3^\circ$
Weight:	1.34 kg
Dimensions:	660 x 295 x 33 mm
Manufacturer / Brand:	RED EAGLE
Guarantee:	2 years

PRESENTATION

Front view:



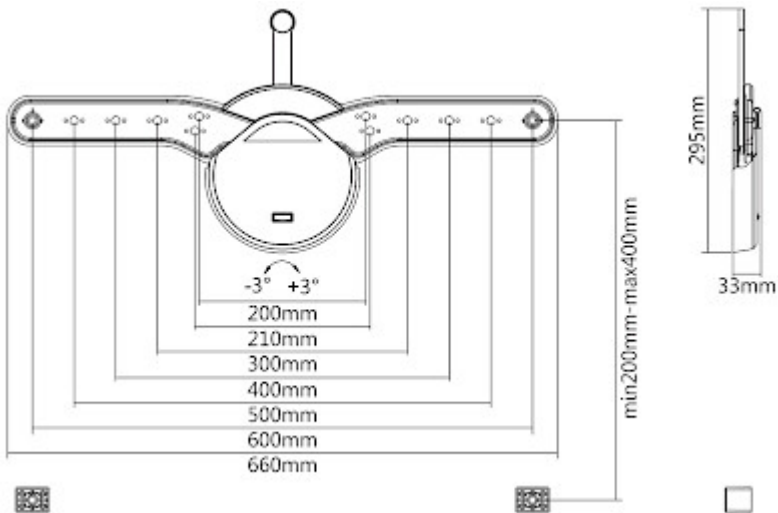
DELTA-OPTI Monika Matysiak; <https://www.delta.poznan.pl>
POL; 60-713 Poznań; Graniczna 10
e-mail: delta-opti@delta.poznan.pl; tel: +(48) 61 864 69 60



Mounting side view:



Dimensions:



Method of mounting:

:
In the kit:



PACKAGE

Dimensions (L x W x H): 0x0x0 mm	Gross Weight: 0 kg
----------------------------------	--------------------

