

Code: MC-711N

TV OR MONITOR MOUNT **MC-711N** MACLEAN

Net: **12.12 EUR** Gross: **14.91 EUR**



The MC-711N mount has been designed to place a modern LCD monitor on a wall.

It allows to easy adjustment of tilt in the range of $-15 \dots 10^\circ$ and to rotate the panel horizontally by the articulated arm with 3 swivels of 180° per each. It is possible to rotate the plane of the screen $\pm 3^\circ$.

The bracket is adapted for mounting curved screens.

SPECIFICATION

Mounting standard:	VESA : 75, 100, 200x100, 200, 300x200, 300, 400x200, 400x300, 400
Screen size range:	26 " ... 55 "
Bearing capacity:	30 kg
Distance from mounting surface:	63 ... 415 mm
Color:	Black
Tilt adjustment:	$-15^\circ \dots 10^\circ$
Horizontal rotation:	$-90^\circ \dots 90^\circ$
Rotation in the plane of the screen:	$\pm 3^\circ$
Dimensions:	455 x 420 x (63 ... 415) mm
Weight:	2.93 kg
Manufacturer / Brand:	MACLEAN
Guarantee:	2 years

PRESENTATION



DELTA-OPTI Monika Matysiak; <https://www.delta.poznan.pl>
POL; 60-713 Poznań; Graniczna 10
e-mail: delta-opti@delta.poznan.pl; tel: +(48) 61 864 69 60

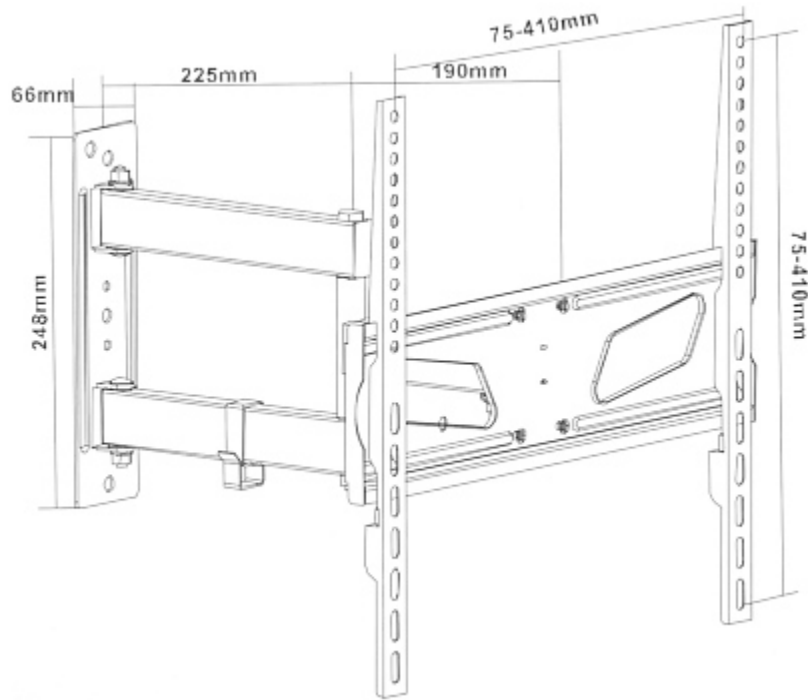
Side view:



Wall mounting side view:



Bracket dimensions:



In the kit:

